


| | | |
|--|--|-------------------|
|  | ILLUMINATION STANDARD OH STREETLIGHTS | 1928,1945+ |
| | | Sheet 1 of 1 |
| Rev: 08/01/20 | | |

STANDARD OVERHEAD STREETLIGHTS

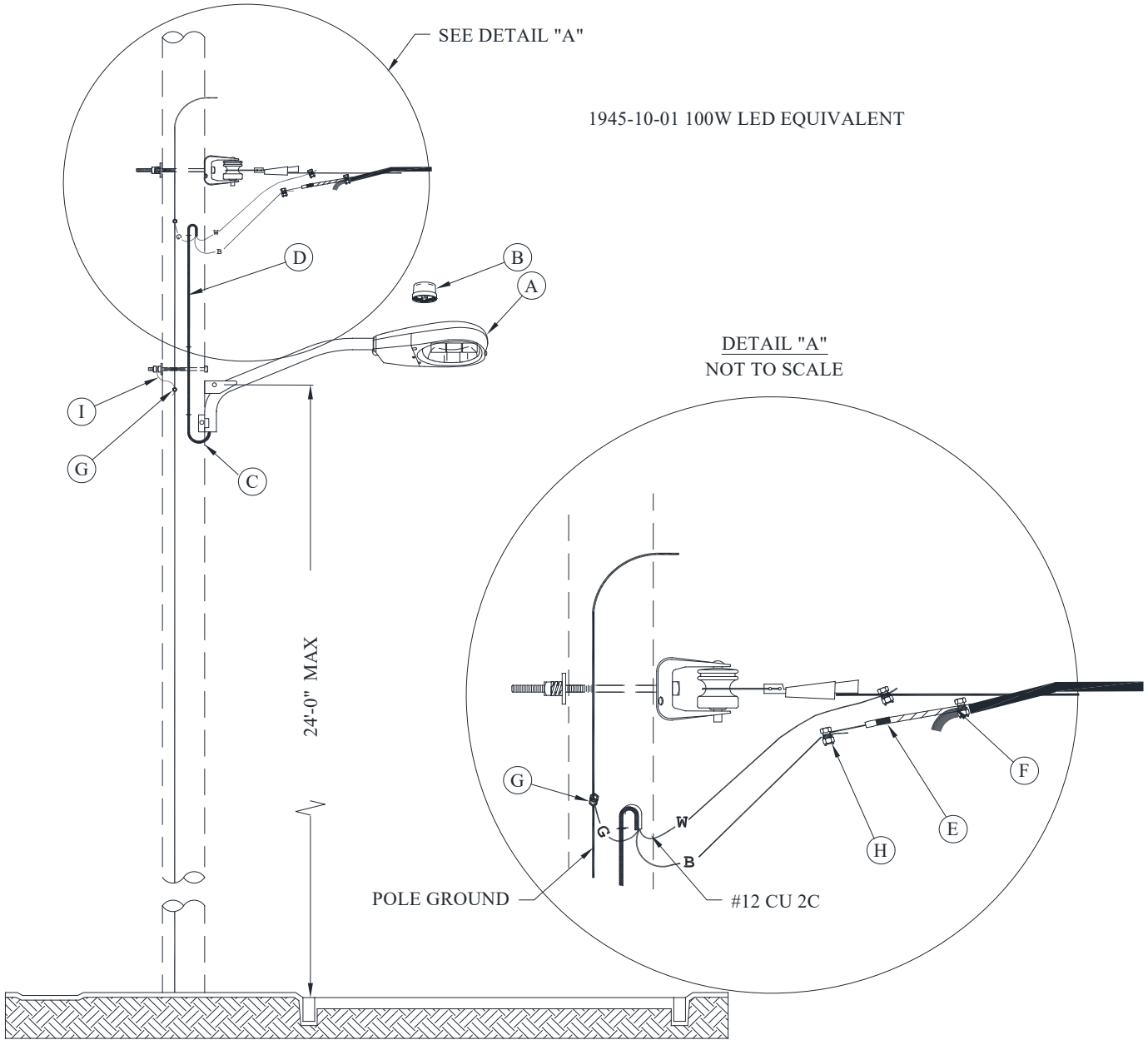
CONTAINS

- 1945-10 ARM MAST 30IN ASSY**
- 1945-12 ARM MAST 6FT ASSY**
- 1945-14 ARM MAST 10FT ASSY**
- 1945-16 ARM MAST 16FT ASSY**

STREET LIGHT MATERIALS

- 1945-20 ARM MAST 16FT ON STEEL POLE**
- 1928-10 STREETLIGHT ARMS**

ILLUMINATION
STANDARDS STREETLIGHTS
ARM MAST 30IN 100W EQUIV ASSEMBLY



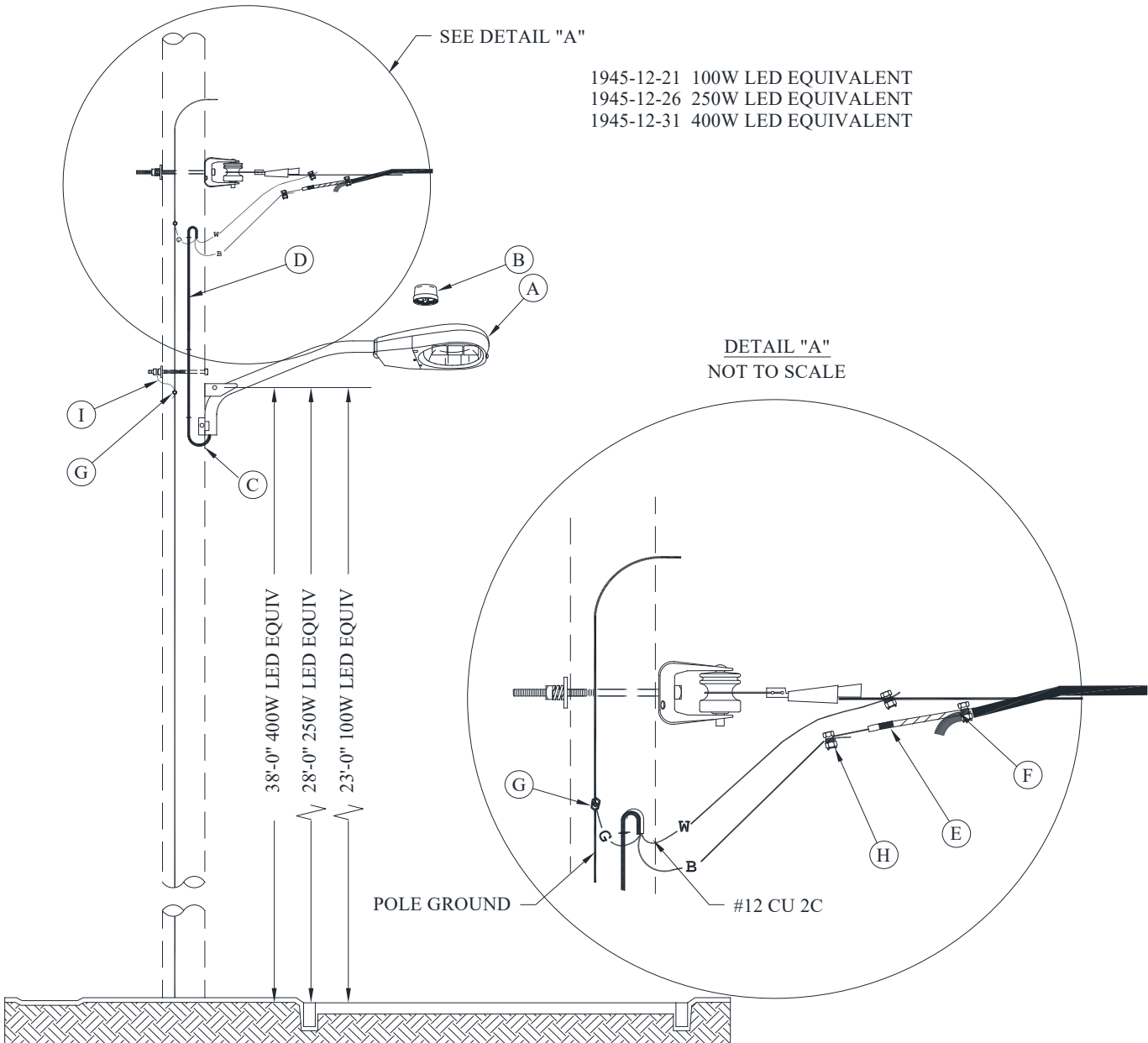
ILLUMINATION


STANDARDS STREETLIGHTS

ARM MAST 6FT 100W, 250W, & 400W EQUIV ASSEMBLY



Rev: 08/01/20



| | | |
|----------------|---|--|
| 1945-12 | ILLUMINATION |  |
| Sheet 3 of 3 | STANDARDS STREETLIGHTS | |
| | ARM MAST 6FT 100W, 250W, & 400W EQUIV ASSEMBLY | |
| | | Rev: 08/01/20 |

| | | |
|--------------|---------------|-----------------------|
| MU-ID | MU-REF | MU-DESCRIPTION |
|--------------|---------------|-----------------------|

| | | |
|------------------------|----------|-----------------------------------|
| ARMMAST6ASSY400LEDEQUV | 19451231 | ARM MAST 6 FT ASSY 400W LED EQUIV |
|------------------------|----------|-----------------------------------|

| ID | CU-REF | CU-DESC | QTY | MU-REF |
|----|----------|--|-----|----------|
| A | 19283360 | LUMINAIRE LED 400W EQUIVALENT GRAY | 1 | 19451231 |
| B | 19282070 | CONTROLLER, COMM 5 PIN HD ST LT 70-1000W | 1 | 19451231 |
| C | 12080402 | WIRE # 12 CU 2C W/GRD | 15 | 19451231 |
| D | 19286515 | CONDUIT 3/4 IN FLEX WATER TIGHT 1000FT | 10 | 19451231 |
| E | 13680215 | FUSE LINK FITALL 5.5 AMP TYPE X | 1 | 19451231 |
| F | 12450413 | CONN SPLIT BOLT 2 STRD CU | 1 | 19451231 |
| G | 12450412 | CONN SPLIT BOLT 4 SOLID CU | 2 | 19451231 |
| H | 12450410 | CONN SPLIT BOLT 8 SOLID CU | 1 | 19451231 |
| I | 12080201 | WIRE # 6 CU SOLID SD | 1 | 19451231 |
| J | 19281002 | ARM MAST WOOD POLE 6 FT | 1 | 19451231 |

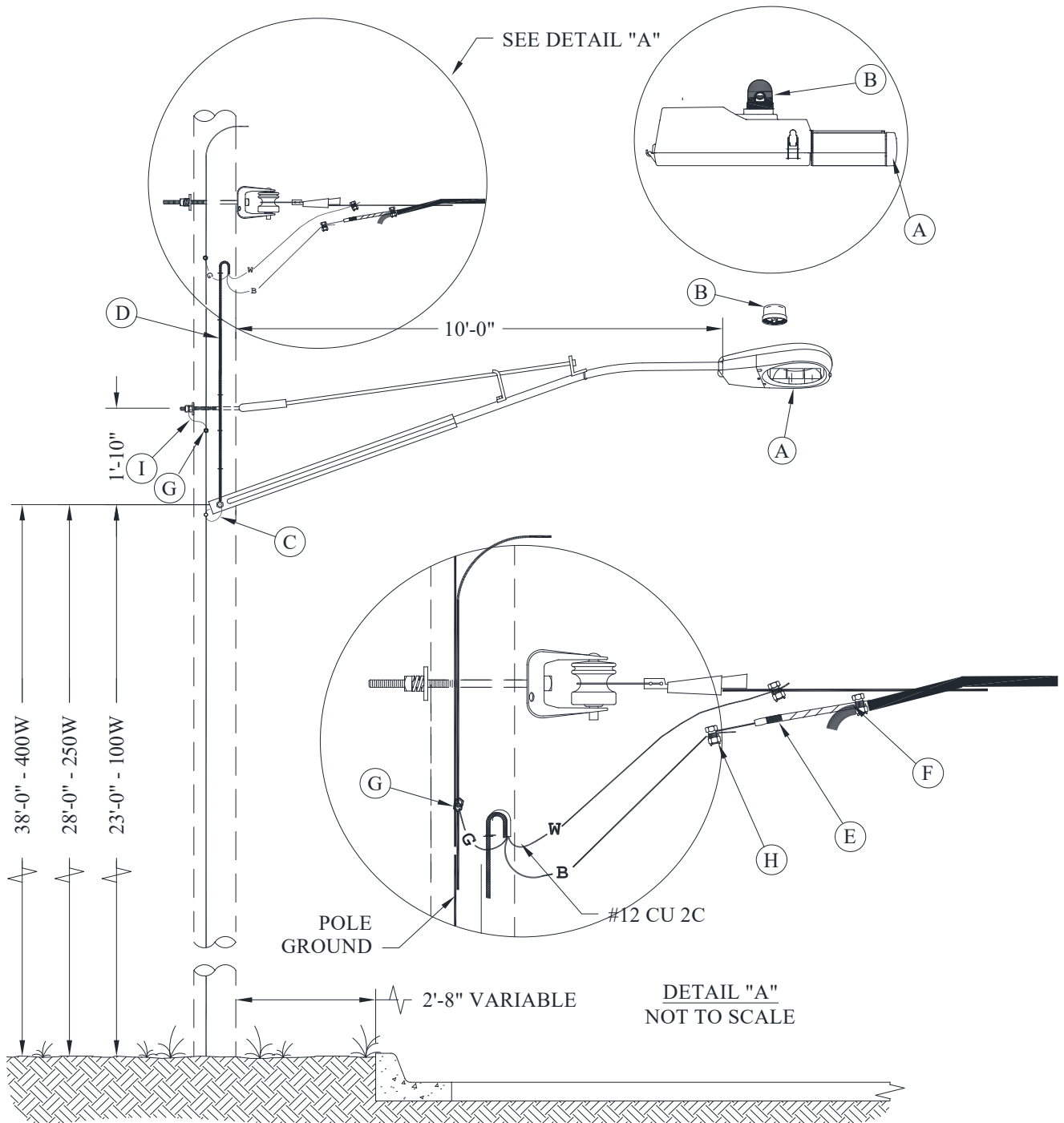


Rev: 08/01/20

ILLUMINATION STANDARDS STREETLIGHTS ARM MAST 10FT 100W, 250W, & 400W EQUIV ASSEMBLY

1945-14


Sheet 1 of 3



1945-14-26 100W LED EQUV

1945-14-31 250W LED EQUV

1945-14-36 400W LED EQUV

| | | |
|--|--|----------------|
|  | ILLUMINATION STANDARDS STREETLIGHTS | 1945-14 |
| | ARM MAST 10FT 100W, 250W, & 400W EQUIV ASSEMBLY | Sheet 3 of 3 |
| Rev: 08/01/20 | | |

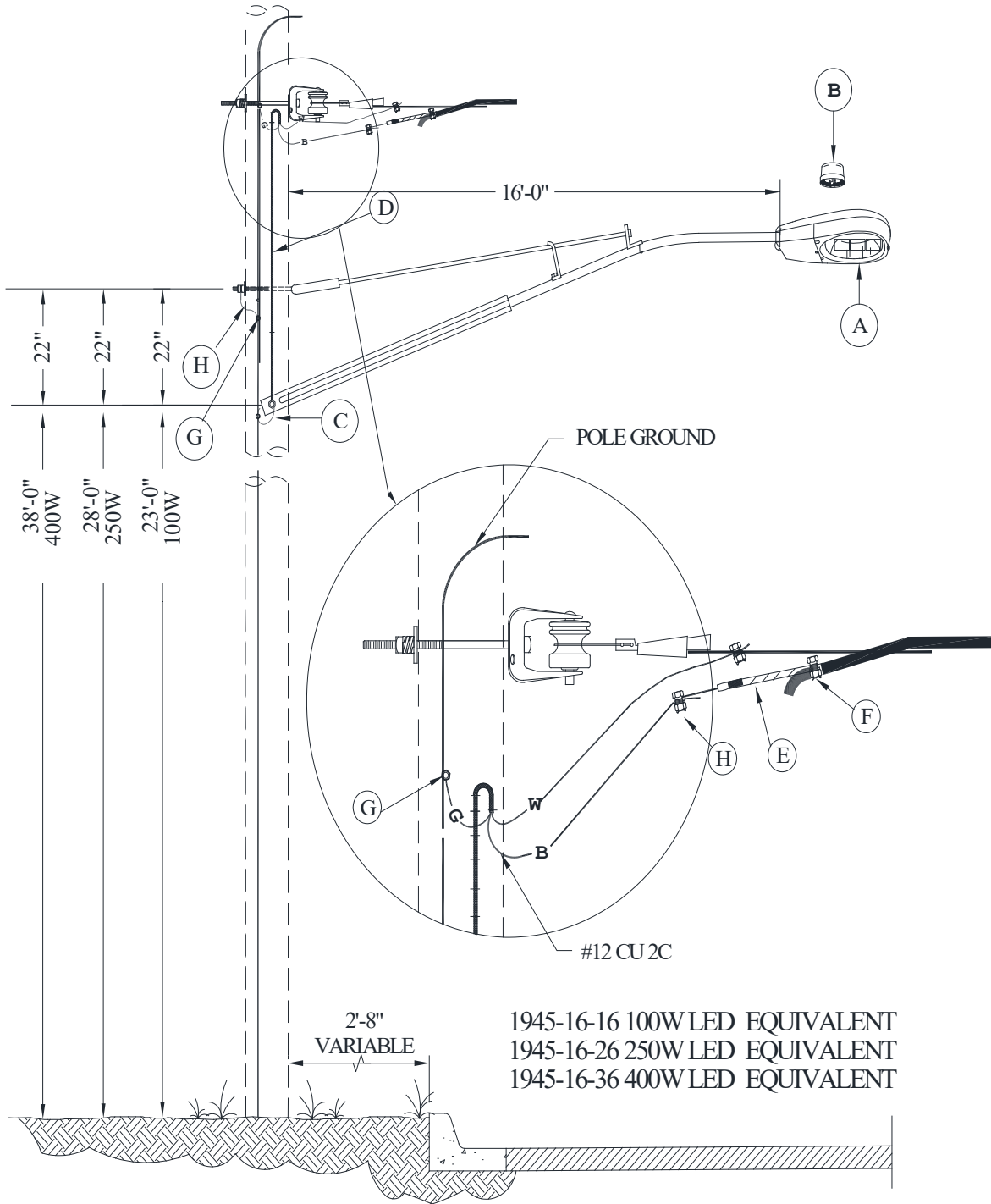
MU-ID
MU-REF
MU-DESCRIPTION


ARMMAST10ASSY400WLEDEQUV 19451436

ARM MAST 10 FT ASSY 400WLED EQUIV

| ID | CU-REF | CU-DESC | QTY | MU-REF |
|----|----------|--|-----|----------|
| A | 19283360 | LUMINAIRE LED 400W EQUIVALENT GRAY | 1 | 19451436 |
| B | 19282070 | CONTROLLER, COMM 5 PIN HD ST LT 70-1000W | 1 | 19451436 |
| C | 12080402 | WIRE # 12 CU 2C W/GRD | 30 | 19451436 |
| D | 19286515 | CONDUIT 3/4 IN FLEX WATER TIGHT 1000FT | 1 | 19451436 |
| E | 13680215 | FUSE LINK FITALL 5.5 AMP TYPE X | 1 | 19451436 |
| F | 12450413 | CONN SPLIT BOLT 2 STRD CU | 1 | 19451436 |
| G | 12450411 | CONN SPLIT BOLT 6 SOLID CU | 3 | 19451436 |
| H | 12450410 | CONN SPLIT BOLT 8 SOLID CU | 1 | 19451436 |
| I | 12080201 | WIRE # 6 CU SOLID SD | 1 | 19451436 |
| J | 19281010 | ARM MAST WOOD POLE 10 FT | 1 | 19451436 |

ILLUMINATION
STANDARDS STREETLIGHTS
ARM MAST 16FT 100W EQUIV ASSEMBLY

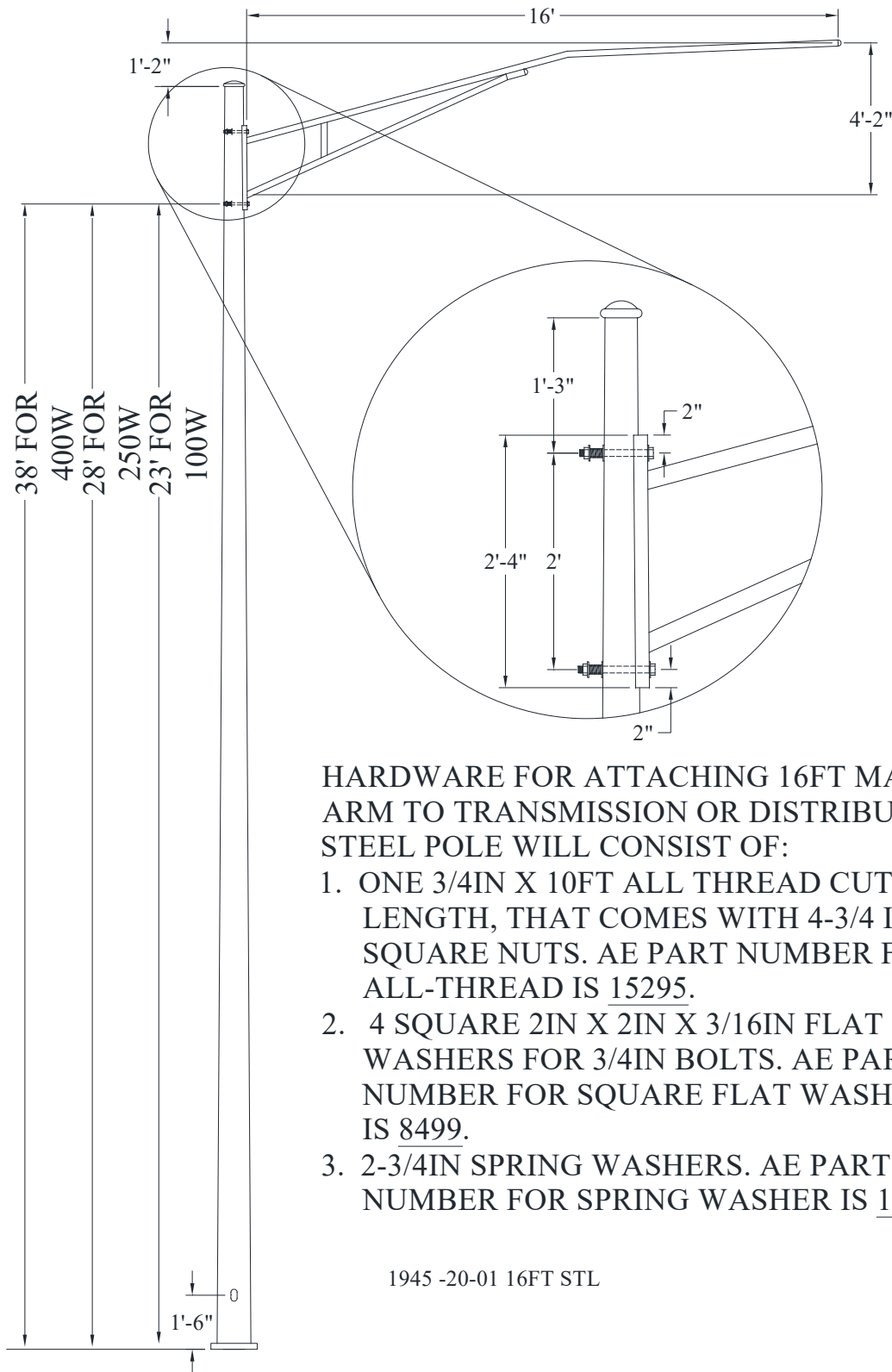


| | | |
|-------------------|--|--|
| 1928,1945+ | ILLUMINATION STREET LIGHT MATERIALS |  |
| Sheet 1 of 1 | | |

1945 & 1928 STREETLIGHT MATERIALS

CONTAINS


- 1945-20 ARM MAST 16FT ON STEEL POLE**
- 1928-10 NIGHTWATCHMAN ARMS**
- 1928-71 POLE HARDWARE**

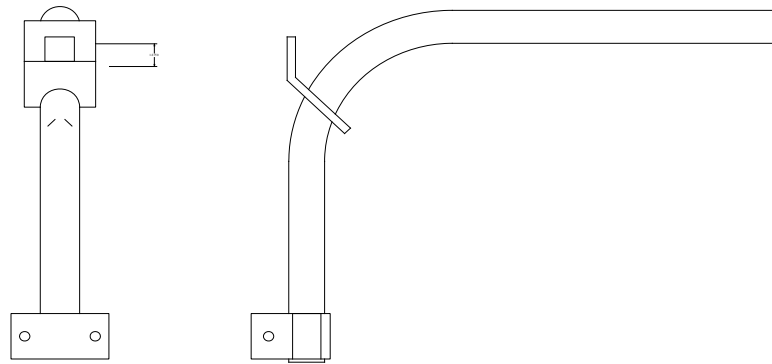


HARDWARE FOR ATTACHING 16FT MAST ARM TO TRANSMISSION OR DISTRIBUTION STEEL POLE WILL CONSIST OF:

1. ONE 3/4IN X 10FT ALL THREAD CUT TO LENGTH, THAT COMES WITH 4-3/4 INCH SQUARE NUTS. AE PART NUMBER FOR ALL-THREAD IS 15295.
2. 4 SQUARE 2IN X 2IN X 3/16IN FLAT WASHERS FOR 3/4IN BOLTS. AE PART NUMBER FOR SQUARE FLAT WASHER IS 8499.
3. 2-3/4IN SPRING WASHERS. AE PART NUMBER FOR SPRING WASHER IS 1235.

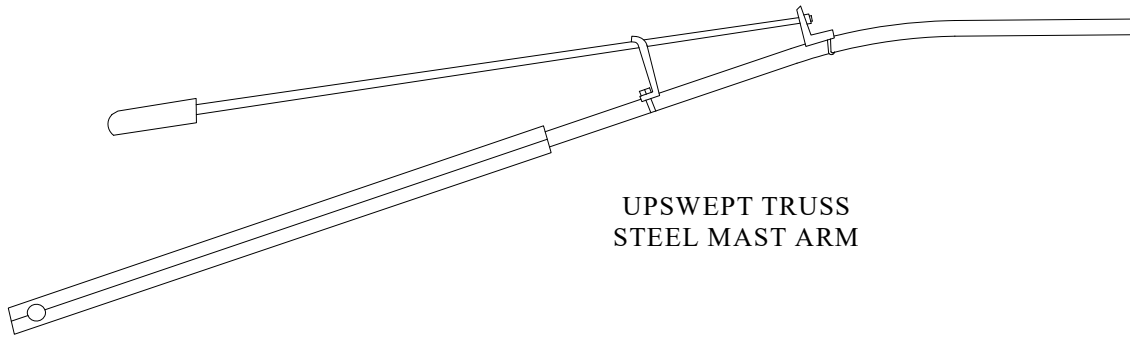
1945 -20-01 16FT STL

| | | |
|--|---|----------------|
|  | ILLUMINATION STREET LIGHT MATERIALS 'NIGHTWATCHMAN' ARMS | 1928-10 |
| Rev: 08/01/20 | | Sheet 1 of 2 |




30" MAST ARM

- 1928-10-01 30IN ARM FOR WOOD POLE
- 1928-10-02 6FT ARM FOR WOOD POLE

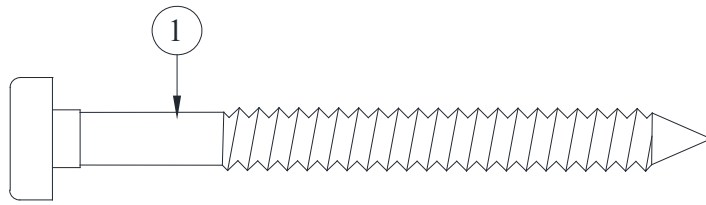


UPSWEPT TRUSS
STEEL MAST ARM

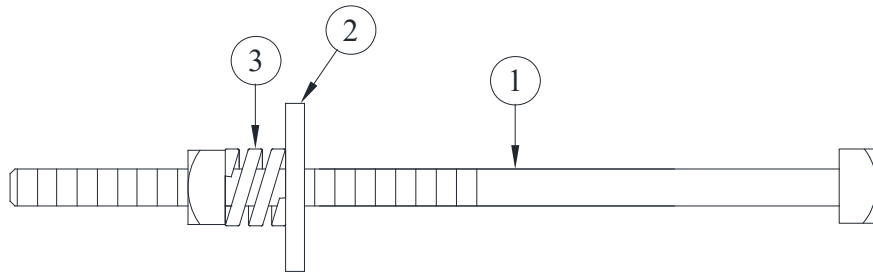
- 1928-10-10 10FT ARM FOR WOOD POLE
- 1928-10-11 16FT ARM FOR WOOD POLE

| | | |
|--|--|----------------|
|  | ILLUMINATION STREET LIGHT MATERIALS | 1928-71 |
| | Rev: 08/01/20 | |

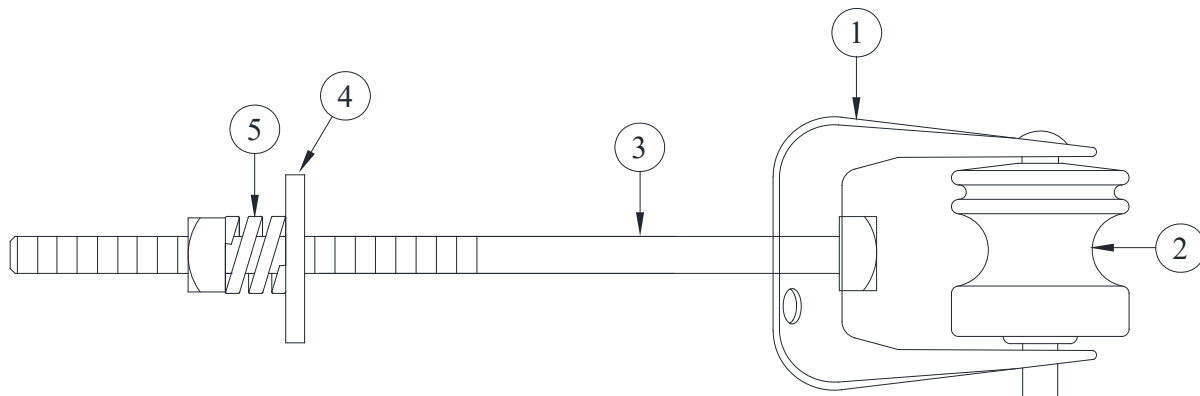
POLE HARDWARE



HARDHEAD 1/2" X 4"
 1928-71-01



1928-71-05 10IN
 1928-71-06 12IN
 1928-71-07 14IN



1928-71-20 W/10IN BOLT
 1928-71-21 W/12IN BOLT
 1928-71-22 W/14IN BOLT



Rev: 08/01/20

ILLUMINATION
STREET LIGHT MATERIALS

1928-71

Sheet 3 of 3

BRKT1PW/12INBLT

19287121

BRACKET 1 POINT WITH 12 IN BOLT

| ID | PART NUM | PART DESC | QTY | | CU-REF |
|----|------------|--|-----|----|----------|
| 1 | 0000015586 | ARM MAST WOOD POLE MOUNTING ST LIGHT 6 FT | 1 | EA | 19281002 |
| 2 | 0000008418 | BOLT MACH SQ HEAD HOT DIP GALV G5 5/8 X 10 | 1 | EA | 19281002 |
| 3 | 0000008499 | WASHER SQ HOT DIP GALV 2-1/4 IN X 2-1/4 IN X 3/16 IN | 1 | EA | 19281002 |
| 4 | 0000008459 | NUT SQ HOT DIP GALV G5CT 5/8 | 1 | EA | 19281002 |
| 5 | 0000008443 | BOLT LAG HOT DIP GALV FETTER DRIVE G5CT 1/2 X 4 | 2 | EA | 19281002 |
| 6 | 0000001236 | WASHER COIL SPRING ZINC FOR 5/8 IN BOLT | 1 | EA | 19281002 |

BRKT1PW/14INBLT

19287122

BRACKET 1 POINT WITH 14 IN BOLT

| ID | PART NUM | PART DESC | QTY | | CU-REF |
|----|------------|--|-----|----|----------|
| 1 | 0000006719 | ARM MAST STL TRUSS TY UPSWEPT 10 FT | 1 | EA | 19281010 |
| 2 | 0000008418 | BOLT MACH SQ HEAD HOT DIP GALV G5 5/8 X 10 | 2 | EA | 19281010 |
| 3 | 0000001236 | WASHER COIL SPRING ZINC FOR 5/8 IN BOLT | 2 | EA | 19281010 |
| 4 | 0000008499 | WASHER SQ HOT DIP GALV 2-1/4 IN X 2-1/4 IN X 3/16 IN | 1 | EA | 19281010 |
| 5 | 0000008459 | NUT SQ HOT DIP GALV G5CT 5/8 | 1 | EA | 19281010 |