
 Rev: 08/01/20	POLE APPARATUS RISERS - PRIMARY AND SECONDARY	1360
		Sheet 1 of 1

1360

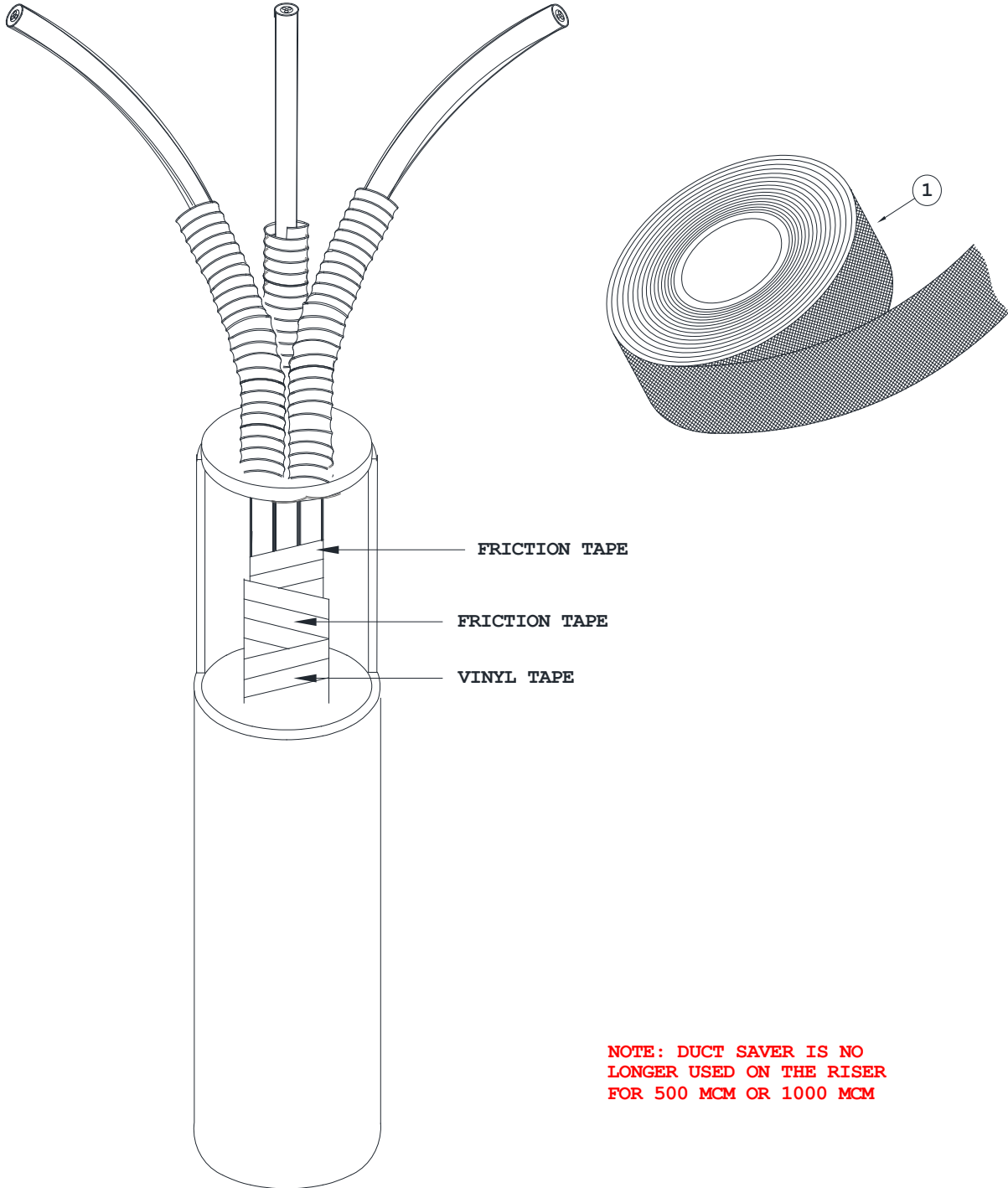
RISERS PRIMARY AND SECONDARY

CONTAINS


- 1360-05 CABLE SUPPORT 3-5 IN CONDUIT RANGE**
- 1360-07 CONDUIT MATERIAL FLEXIBLE**
- 1360-09 BRACKET STANDOFF**
- 1360-12 TERM COLD SHRINK AL/CU**
- 1360-14 ARRESTER ASSY 1, 2, 3PH & POWER CABLE**
- 1360-15 RISER GROUNDING**
- 1360-20 1PH RISER**
- 1360-21 2PH RISER**
- 1360-22 3PH RISER**
- 1360-40 RISER DISTRIBUTION POWER CABLE**
- 1360-50 SYSTEM MONITORING FOR AUTOMATION**
- 1360-60 RISER SECONDARY 2/3/4/5 INCH**
- 1360-70 COMMUNICATIONS RISER**
- 1360-71 COMMUNICATIONS RISER NOTES**

1360-05	POLE APPARATUS	
Sheet 1 of 2	RISERS - PRIMARY AND SECONDARY	Rev: 08/01/20
	CABLE SUPPORT 3-6 IN CONDUIT RANGE	

1360



1360-05-03 3"
 1360-05-04 4"
 1360-05-05 5"

 Rev: 08/01/20	POLE APPARATUS RISERS - PRIMARY AND SECONDARY	1360-05
	CABLE SUPPORT 3-6 IN CONDUIT RANGE	Sheet 2 of 2

CU

CU-ID	CU-REF	CU-DESCRIPTION
-------	--------	----------------

CBLSUP2INCOND	13600502	CABLE SUPPORT 2 IN CONDUIT
---------------	----------	----------------------------

ID	PART NUM	PART DESC	QTY		CU-REF
1	0000015170	TAPE FRICTION 3/4 IN ASTM SPEC EL#204	3	FT	13600502
2	0000015179	TAPE ELECTRIC 3/4 IN X 66 FT ALL WEATHER VINYL	2	FT	13600502
3	0000006672	GRIP CABLE FOR CONDUIT RISER 2 IN CONDUIT	1	FT	13600502

CBLSUP3INCOND	13600503	CABLE SUPPORT 3 IN CONDUIT
---------------	----------	----------------------------


ID	PART NUM	PART DESC	QTY		CU-REF
1	0000015170	TAPE FRICTION 3/4 IN ASTM SPEC EL#204	3	EA	13600503
2	0000015179	TAPE ELECTRIC 3/4 IN X 66 FT ALL WEATHER VINYL	2	EA	13600503
3	0000006673	GRIP CABLE FOR CONDUIT RISER 3 IN CONDUIT	1	EA	13600503

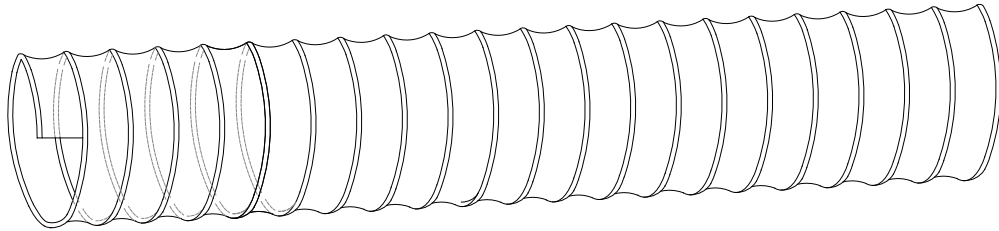
CBLSUP4INCOND	13600504	CABLE SUPPORT 4 IN CONDUIT
---------------	----------	----------------------------

ID	PART NUM	PART DESC	QTY		CU-REF
1	0000015170	TAPE FRICTION 3/4 IN ASTM SPEC EL#204	4	FT	13600504
2	0000015179	TAPE ELECTRIC 3/4 IN X 66 FT ALL WEATHER VINYL	2	FT	13600504
3	0000006674	GRIP CABLE FOR CONDUIT RISER 4 IN CONDUIT	1	FT	13600504


CBLSUP5INCOND	13600505	CABLE SUPPORT 5 IN CONDUIT
---------------	----------	----------------------------

ID	PART NUM	PART DESC	QTY		CU-REF
1	0000015170	TAPE FRICTION 3/4 IN ASTM SPEC EL#204	5	FT	13600505
2	0000015179	TAPE ELECTRIC 3/4 IN X 66 FT ALL WEATHER VINYL	2	FT	13600505
3	0000006676	GRIP CABLE FOR CONDUIT RISER 5 IN CONDUIT 4 IN DIA	1	FT	13600505

1360-07	POLE APPARATUS RISERS - PRIMARY AND SECONDARY CONDUIT MATERIAL FLEXIBLE	
Sheet 1 of 2		Rev: 08/01/20



1360-07-01 1 1/4"
1360-07-02 2"
1360-07-25 2 1/2"

	POLE APPARATUS RISERS - PRIMARY AND SECONDARY CONDUIT MATERIAL FLEXIBLE	1360-07
	CONDUIT MATERIAL FLEXIBLE	Sheet 2 of 2
Rev: 08/01/20		

CU

CU-ID CU-REF CU-DESCRIPTION

CONDMTLFLX1-1/4IN 13600701 CONDUIT METAL FLEXIBLE 1-1/4 IN


ID	PART NUM	PART DESC	QTY	CU-REF
1	0000005462	CONDUIT FLEX TUBING 1-1/4 IN GREENFIELD	1.5 FT	13600701

CONDMTLFLX2IN 13600702 CONDUIT METAL FLEXIBLE 2 IN

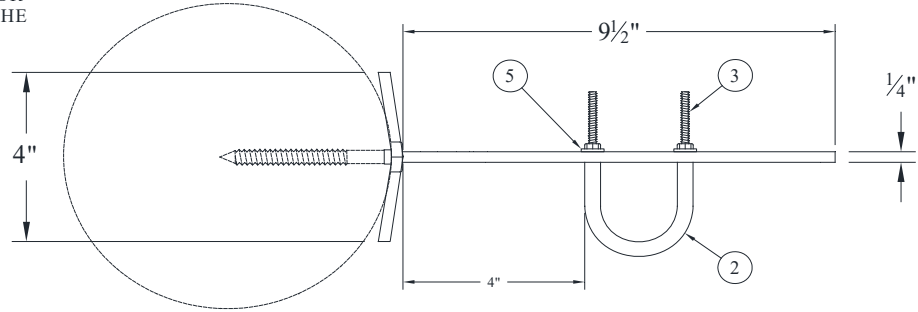
ID	PART NUM	PART DESC	QTY	CU-REF
1	0000005463	CONDUIT FLEX TUBING 2 IN	1.5 FT	13600702

CONDMTLFLX2-1/2IN 13600725 CONDUIT METAL FLEXIBLE 2-1/2 IN

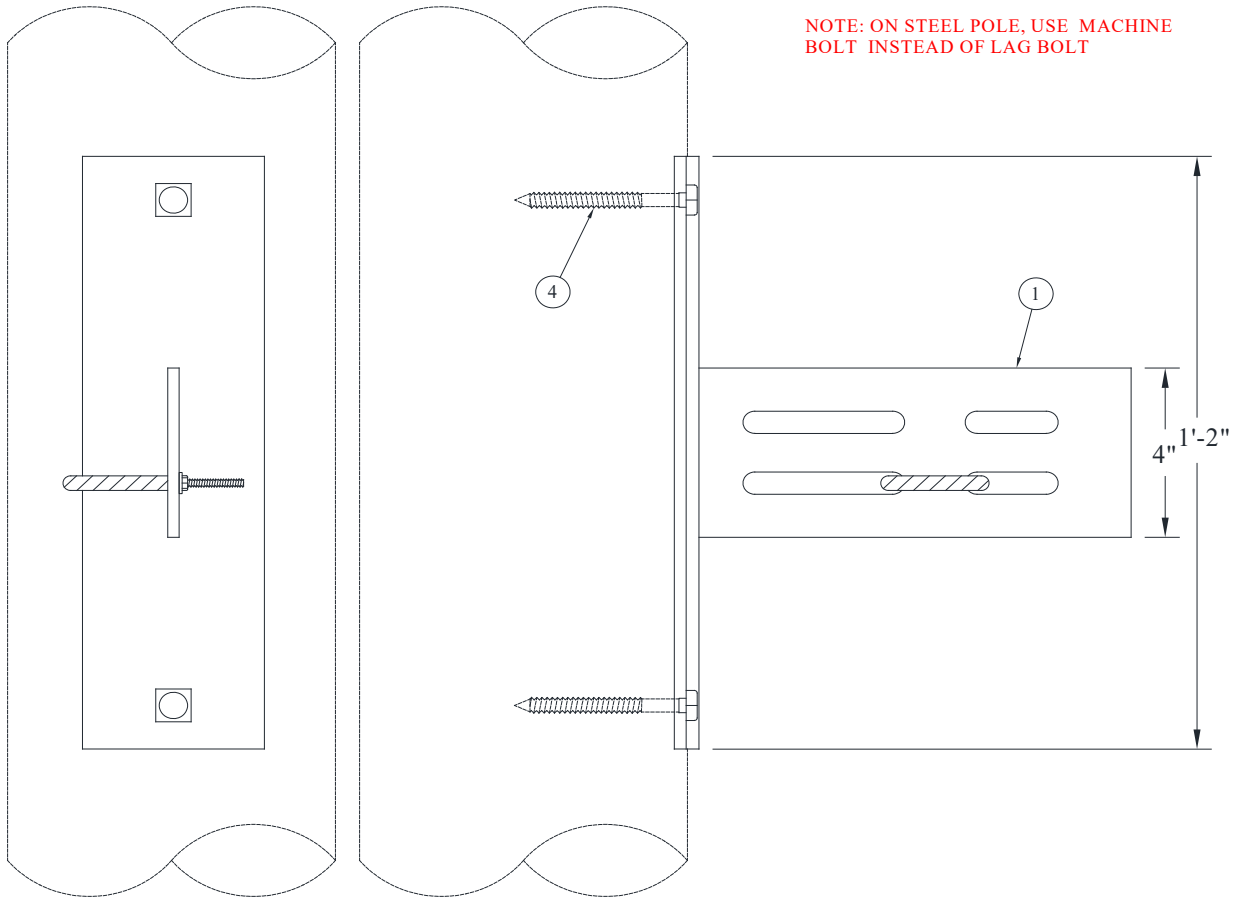
ID	PART NUM	PART DESC	QTY	CU-REF
1	0000001828	CONDUIT FLEX TUBING 2 1/2 INCH	1.5 FT	13600725

1360-09	POLE APPARATUS RISERS - PRIMARY AND SECONDARY BRACKET STANDOFF	
Sheet 1 of 2		Rev: 08/01/20


ONE RISER CONDUIT BRACKET IS NEEDED FOR EACH 10' PORTION OF THE RISER CONDUIT.



NOTE: ON STEEL POLE, USE MACHINE BOLT INSTEAD OF LAG BOLT



- | | |
|---------------|---------------|
| 1360-09-20 2" | 1360-09-30 3" |
| 1360-09-40 4" | 1360-09-50 5" |

	POLE APPARATUS RISERS - PRIMARY AND SECONDARY	1360-09
	BRACKET STANDOFF	Sheet 2 of 2
Rev: 08/01/20		

CU

CU-ID CU-REF CU-DESCRIPTION

BRKTSTNDOFF2INCOND 13600920 BRACKET STANDOFF 2 IN CONDUIT

ID	PART NUM	PART DESC	QTY		CU-REF
1	0000006581	BRACKET STANDOFF 2 TO 5 INCH CONDUIT	1	FT	13600920
2	0000008706	BOLT U GALV 3/8 FOR 2IN PIPE W/2-1/2IN THREAD/GALV NUT	1	FT	13600920
3	0000008493	WASHER ROUND HOT DIP GALV 3/8 INCH	2	FT	13600920
4	0000008443	BOLT LAG HOT DIP GALV FETTER DRIVE G5CT 1/2 X 4	2	FT	13600920
5	0000008494	WASHER ROUND HOT DIP GALV 1/2 INCH	2	FT	13600920

BRKTSTNDOFF3INCOND 13600930 BRACKET STANDOFF 3 IN CONDUIT


ID	PART NUM	PART DESC	QTY		CU-REF
1	0000006581	BRACKET STANDOFF 2 TO 5 INCH CONDUIT	1	EA	13600930
2	000000308	BOLT U GALV 3/8 FOR 3IN PIPE 2-1/2IN THREAD/GALV NUT	1	EA	13600930
3	0000008493	WASHER ROUND HOT DIP GALV 3/8 INCH	4	EA	13600930
4	0000008443	BOLT LAG HOT DIP GALV FETTER DRIVE G5CT 1/2 X 4	2	EA	13600930
5	0000008494	WASHER ROUND HOT DIP GALV 1/2 INCH	4	EA	13600930
6	0000008492	WASHER SPLIT LOCK ZINC 3/8	4	EA	13600930

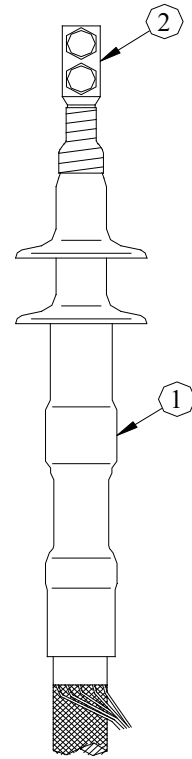
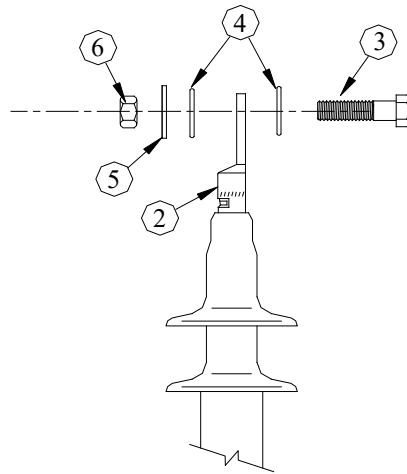
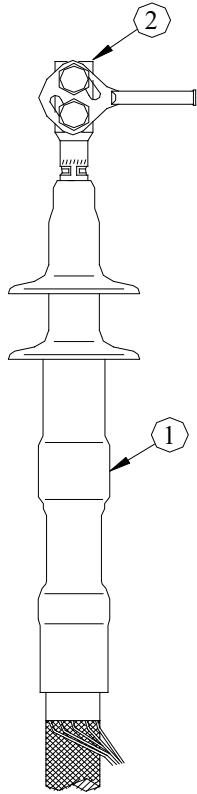
BRKTSTNDOFF4INCOND 13600940 BRACKET STANDOFF 4 IN CONDUIT

ID	PART NUM	PART DESC	QTY		CU-REF
1	0000006581	BRACKET STANDOFF 2 TO 5 INCH CONDUIT	1	FT	13600940
2	0000008705	BOLT U GALV 3/8 FOR 4IN PIPE W/2-1/2IN THREAD/GALV NUT	1	FT	13600940
3	0000008493	WASHER ROUND HOT DIP GALV 3/8 INCH	2	FT	13600940
4	0000008443	BOLT LAG HOT DIP GALV FETTER DRIVE G5CT 1/2 X 4	2	FT	13600940
5	0000008494	WASHER ROUND HOT DIP GALV 1/2 INCH	2	FT	13600940

BRKTSTNDOFF5INCOND 13600950 BRACKET STANDOFF 5 IN CONDUIT

ID	PART NUM	PART DESC	QTY		CU-REF
1	0000006581	BRACKET STANDOFF 2 TO 5 INCH CONDUIT	1	FT	13600950
2	0000008707	BOLT U GALV 1/2 FOR 5IN PIPE W/3IN THREAD / GALV NUT	1	FT	13600950
3	0000008443	BOLT LAG HOT DIP GALV FETTER DRIVE G5CT 1/2 X 4	2	FT	13600950
4	0000008494	WASHER ROUND HOT DIP GALV 1/2 INCH	2	FT	13600950

1360-12	POLE APPARATUS	
Sheet 1 of 2	RISERS - PRIMARY AND SECONDARY	Rev: 08/01/20
	TERM COLD SHRINK AL/CU	




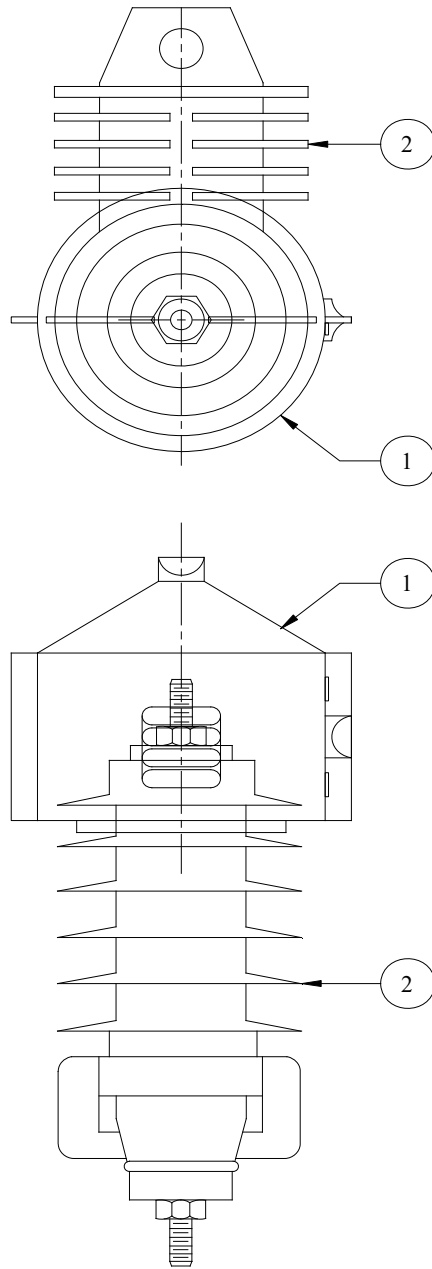
1360-12-10 250 MCM
1360-12-20 500 MCM
1360-12-30 1000 MCM

1360-12-02 #2 CU
1360-12-03 1/0 AL

NOTES:


1. PRIOR TO INSTALLING ALUMINUM CONDUCTOR CONNECTORS, CLEAN THE CONDUCTOR WITH A WIRE BRUSH TO REMOVE OXIDES. IMMEDIATELY APPLY A NO-GRIT INHIBITOR TO THE CONTACT SURFACE OF THE CONNECTOR. CONNECTORS GENERALLY COME WITH FACTORY-APPLIED INHIBITOR.
2. INSTALL COMPRESSION CONNECTOR ACCORDING TO MANUFACTURER'S INSTRUCTIONS. AFTER CRIMPING THE CONNECTOR, REMOVE ANY EXCESS JOINT COMPOUND AND REMOVE ANY SHARP EDGES.

1360-14	POLE APPARATUS	
Sheet 1 of 2	RISERS - PRIMARY AND SECONDARY	Rev: 08/01/20
	ARRESTER ASSEMBLIES 1PH-2PH-3PH AND POWER CABLE	



1360-14-01

FOR TRANSFORMERS, LINE, AND CAPACITORS

 Rev: 08/01/20	POLE APPARATUS RISERS - PRIMARY AND SECONDARY	1360-14
	ARRESTER ASSEMBLIES 1PH-2PH-3PH AND POWER CABLE	Sheet 2 of 2

CU

CU-ID CU-REF CU-DESCRIPTION

ARASSYPRIRIS1PH 13601401 ARRESTER ASSEMBLY/PRI RIS 1 PH

ID	PART NUM	PART DESC	QTY		CU-REF
1	0000016477	ARRESTER SURGE 10 KV 8.4 KV MCOV	1	EA	13601401
2	0000018206	GUARD ANIMAL POLYPROPYLENE WITH HINGES	1	EA	13601401
3	0000005627	LUG COMP #2 STRD COP 3/8" BOLT HOLE TIN PLATED	1	EA	13601401
4	0000004673	CABLE SNGL COND 600 V #2 RHW-2 2000/FT	3	EA	13601401

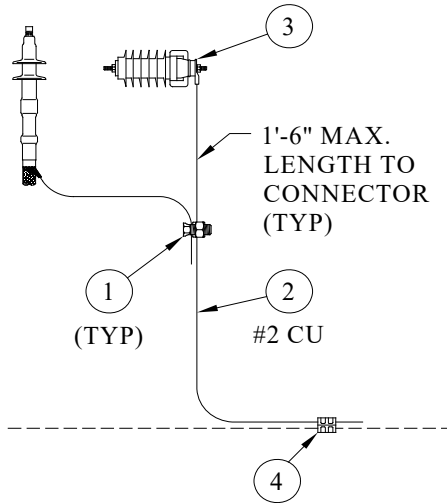
ARASSYPRIRIS3PH 13601403 ARRESTER ASSEMBLY/PRI RIS 3 PH

ID	PART NUM	PART DESC	QTY		CU-REF
1	0000016477	ARRESTER SURGE 10 KV 8.4 KV MCOV	3	EA	13601403
2	0000018206	GUARD ANIMAL POLYPROPYLENE WITH HINGES	3	EA	13601403
3	0000005627	LUG COMP #2 STRD COP 3/8" BOLT HOLE TIN PLATED	3	EA	13601403
4	0000004673	CABLE SNGL COND 600 V #2 RHW-2 2000/FT	9	EA	13601403

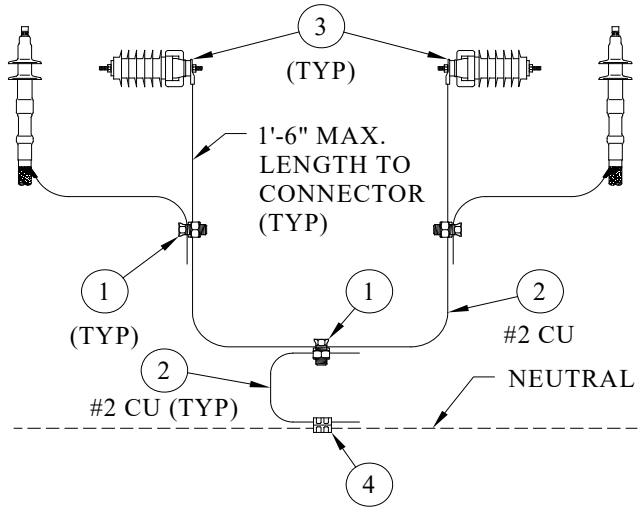
ARASSYPCRIS3PH 13601405 ARRESTER ASSEMBLY POWER CABLE RISER 3 PH

ID	PART NUM	PART DESC	QTY		CU-REF
1	0000016477	ARRESTER SURGE 10 KV 8.4 KV MCOV	3	EA	13601405
2	0000018206	GUARD ANIMAL POLYPROPYLENE WITH HINGES	3	EA	13601405
3	0000005627	LUG COMP #2 STRD COP 3/8" BOLT HOLE TIN PLATED	3	EA	13601405
4	0000004673	CABLE SNGL COND 600 V #2 RHW-2 2000/FT	9	EA	13601405
5	0000019312	CLAMP HOT TAP 795AA TO 4/0-#6 CU/AL	3	EA	13601405

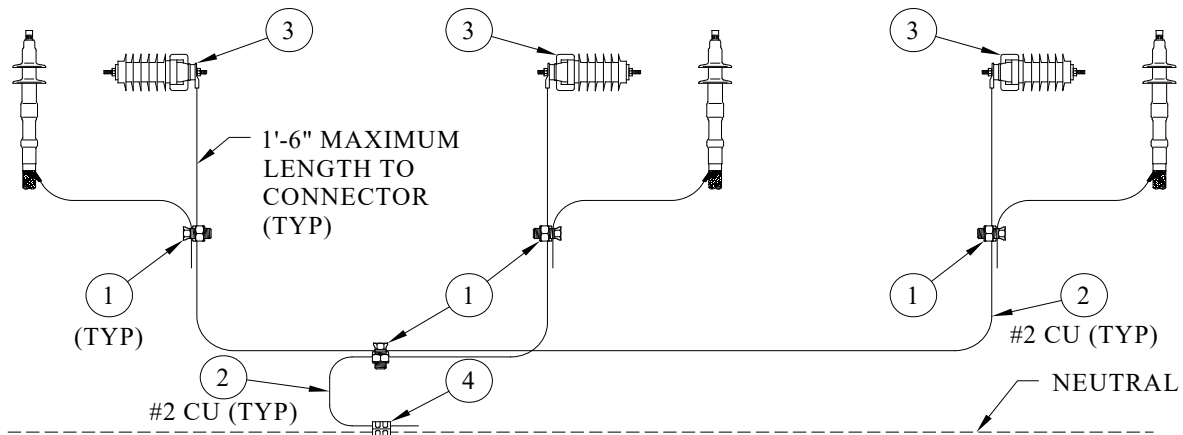
POLE APPARATUS
RISERS - PRIMARY AND SECONDARY
GROUNDING RISER



1360-15-11 1/0 NEUTRAL
1360-15-12 4/0 NEUTRAL



1360-15-21 1/0 NEUTRAL
1360-15-22 4/0 NEUTRAL



1360-15-31, 1/0 AL TERM, 1/0 NEUTRAL
1360-15-32, 1/0 AL TERM, 4/0 NEUTRAL
1360-15-41, POWER CABLE TERM, 1/0 NEUTRAL
1360-15-42, POWER CABLE TERN, 4/0 NEUTRAL



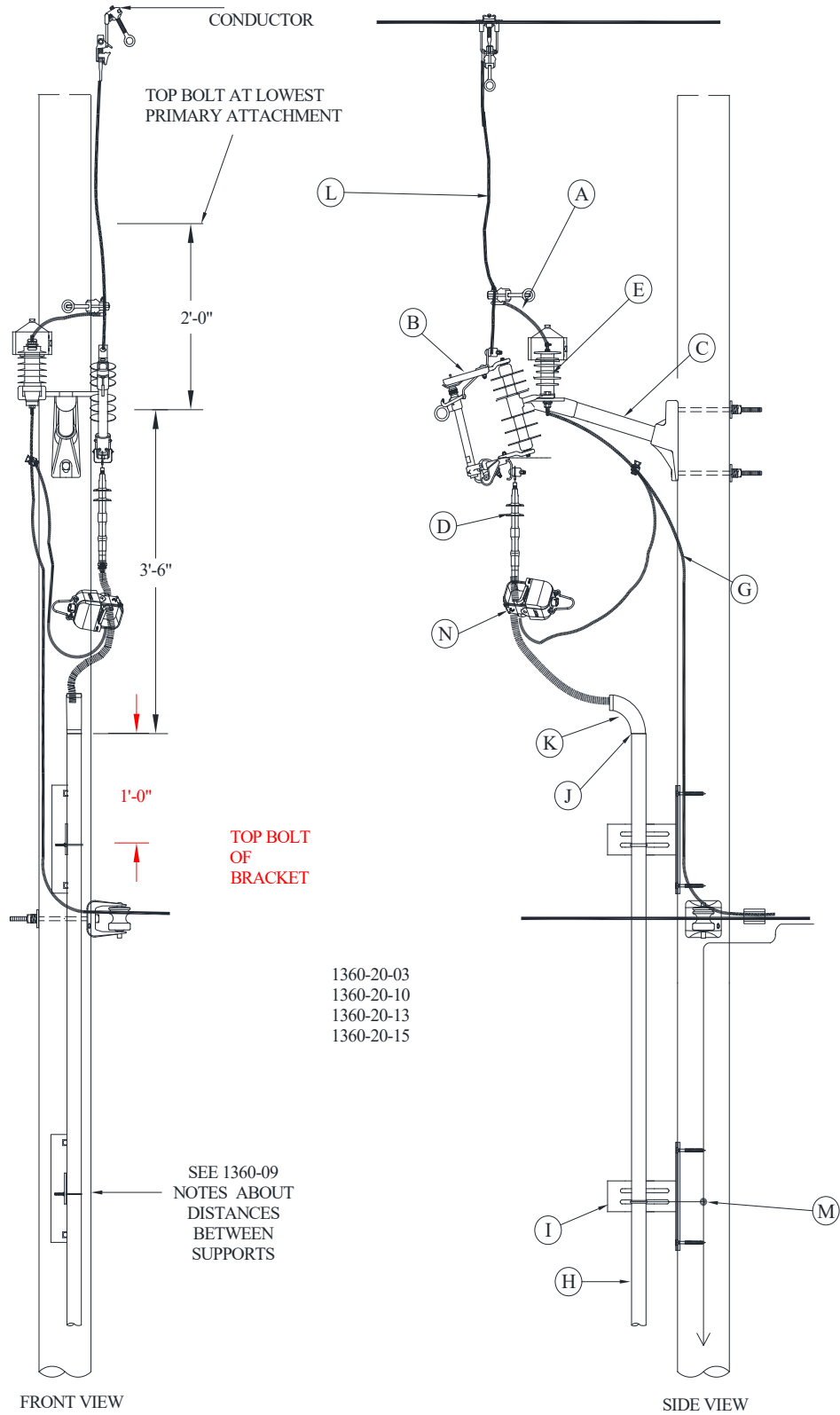
Rev: 08/01/20

POLE APPARATUS RISERS - PRIMARY AND SECONDARY

1360-20

Sheet 1 of 3

1PH RISER

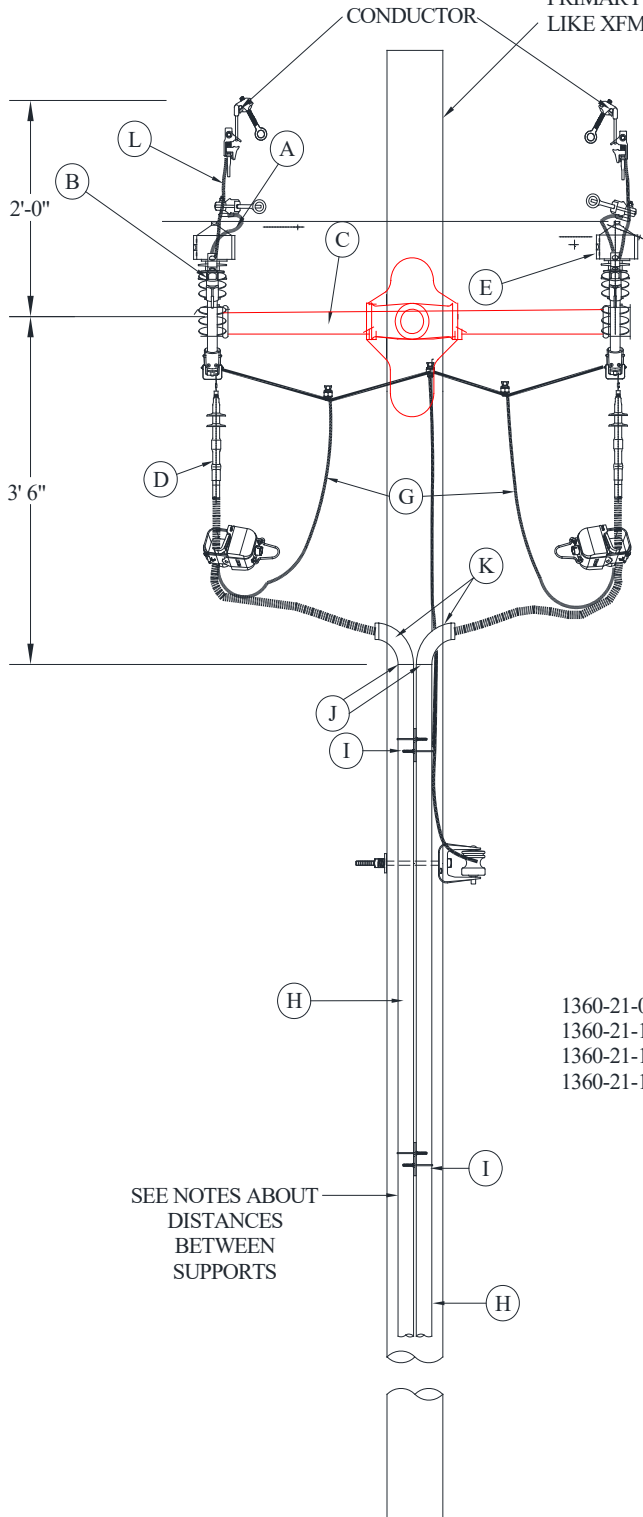


POLE APPARATUS
RISERS - PRIMARY AND SECONDARY

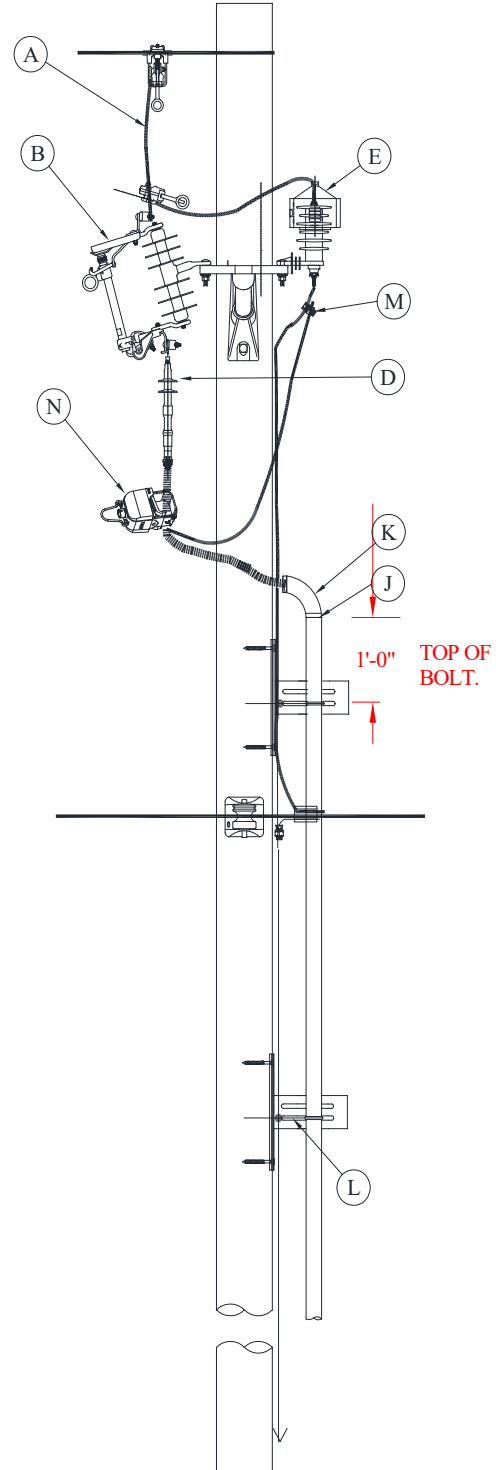
2PH RISER



TOP BOLT AT LOWEST
PRIMARY ATTACHMENT
LIKE XFMR, USE T BRACKET.




FRONT VIEW



SIDE VIEW

- 1360-21-03
- 1360-21-10
- 1360-21-13
- 1360-21-15

1360-21	POLE APPARATUS	
Sheet 3 of 3	RISERS - PRIMARY AND SECONDARY	
	2PH RISER	
		Rev: 08/01/20

MU-ID	MU-REF	MU-DESCRIPTION
--------------	---------------	-----------------------

RISPRI2PH1/0AL795P1/0N	13602113	RISER PRI 2PH 1/0 AL 795 PRI 1/0 NEUT
------------------------	----------	---------------------------------------

ID	CU-REF	CU-DESC	QTY	MU-REF
A	13680523	JUMPER ASSY-URD RISER 795 AL PRI	2	13602113
B	13680102	CUTOUT 15KV W/LB	2	13602113
C	13680702	BRACKET 3 EAR FG 18 IN DBL W/MOUNT BOLT	1	13602113
D	13601203	TERMINATION COLD SHRINK 1/0 AL 15KV	2	13602113
E	13601401	ARRESTER ASSEMBLY/PRI RIS 1 PH	2	13602113
G	13601521	GRD RISER 2PH 1/0AL 1/0 NEUT	1	13602113
H	14180063	COND 3 PVC SCH 80, 10' SEC W/BE	8	13602113
I	13600930	BRACKET STANDOFF 3 IN CONDUIT	4	13602113
J	13600503	CABLE SUPPORT 3 IN CONDUIT	2	13602113
K	13600701	CONDUIT METAL FLEXIBLE 1-1/4 IN	2	13602113
L	13680544	JUMPER ASSY FOR URD RISER TO ARRESTOR	2	13602113
M	12450411	CONN SPLIT BOLT 6 SOLID CU	1	13602113

RISPRI2PH1/0AL795P4/0N	13602115	RISER PRI 2PH 1/0 AL 795 PRI 4/0 NEUT
------------------------	----------	---------------------------------------

ID	CU-REF	CU-DESC	QTY	MU-REF
A	13680523	JUMPER ASSY-URD RISER 795 AL PRI	2	13602115
B	13680102	CUTOUT 15KV W/LB	2	13602115
C	13680702	BRACKET 3 EAR FG 18 IN DBL W/MOUNT BOLT	1	13602115
D	13601203	TERMINATION COLD SHRINK 1/0 AL 15KV	2	13602115
E	13601401	ARRESTER ASSEMBLY/PRI RIS 1 PH	2	13602115
G	13601522	GRD RISER 2PH 1/0AL 4/0 NEUT	1	13602115
H	14180063	COND 3 PVC SCH 80, 10' SEC W/BE	8	13602115
I	13600930	BRACKET STANDOFF 3 IN CONDUIT	4	13602115
J	13600503	CABLE SUPPORT 3 IN CONDUIT	2	13602115
K	13600701	CONDUIT METAL FLEXIBLE 1-1/4 IN	2	13602115
L	13680544	JUMPER ASSY FOR URD RISER TO ARRESTOR	2	13602115
M	12450411	CONN SPLIT BOLT 6 SOLID CU	1	13602115



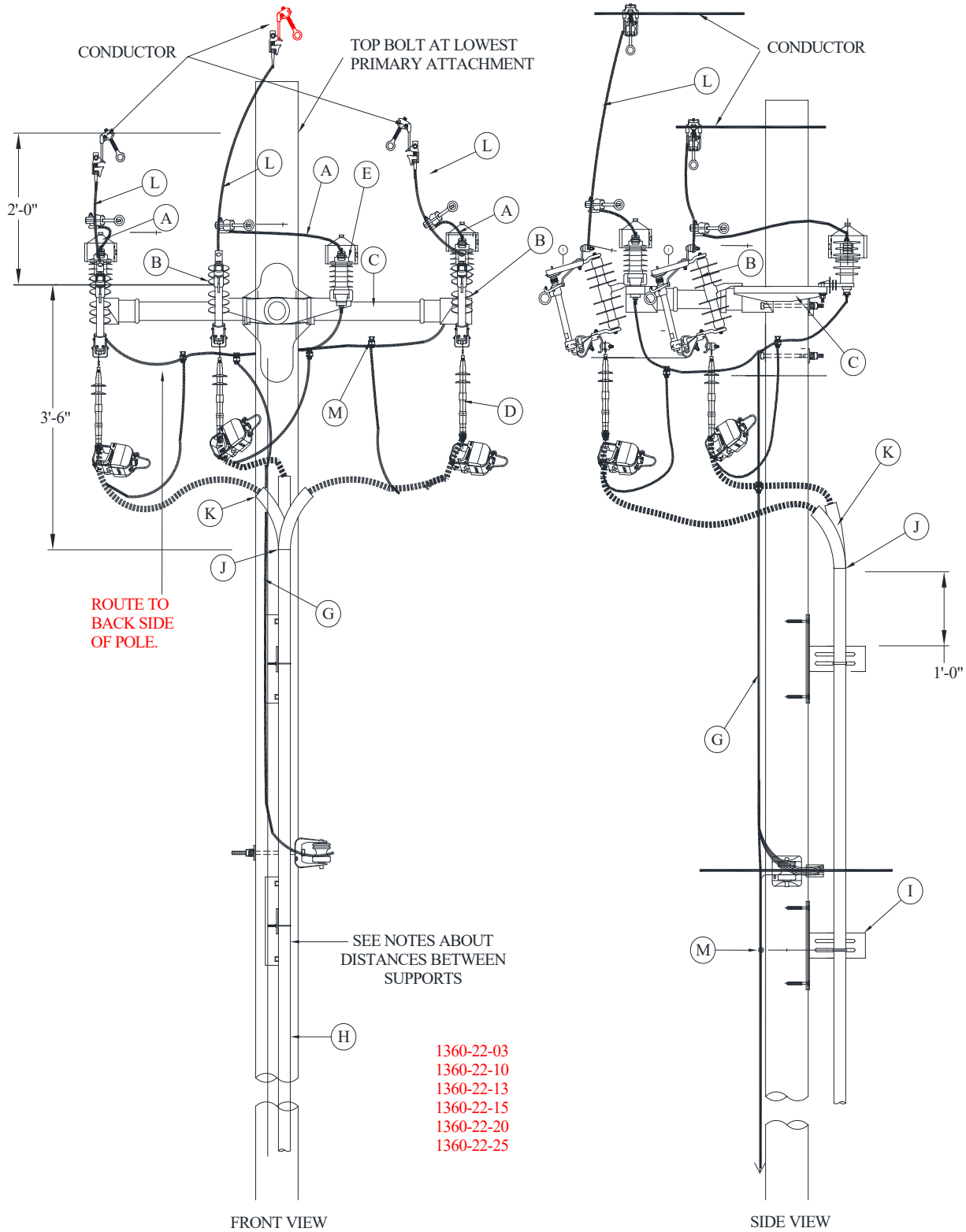
Rev: 08/01/20

POLE APPARATUS RISERS - PRIMARY AND SECONDARY

1360-22

Sheet 1 of 4

3PH RISER



- 1360-22-03
- 1360-22-10
- 1360-22-13
- 1360-22-15
- 1360-22-20
- 1360-22-25

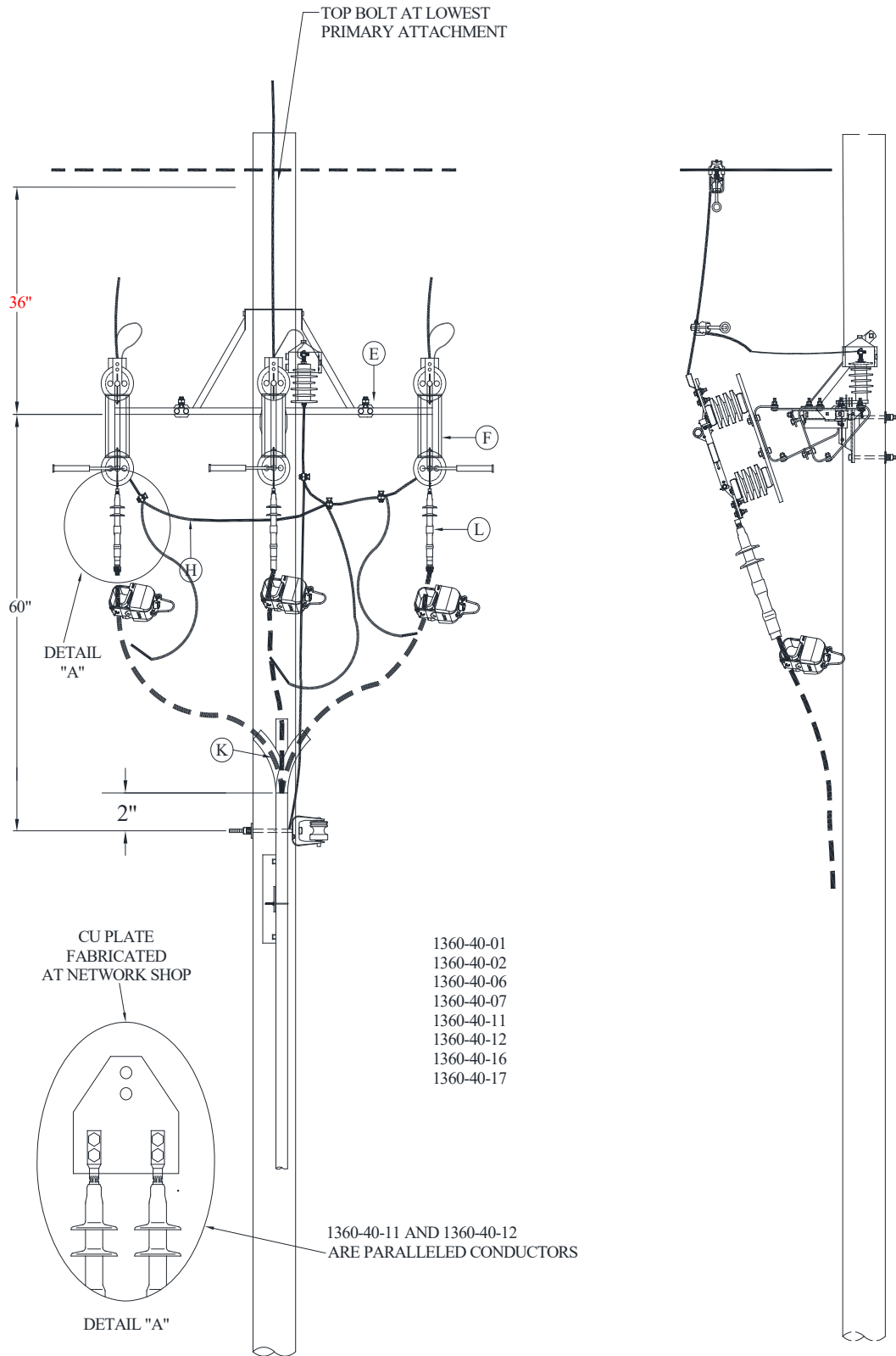


Rev: 08/01/20

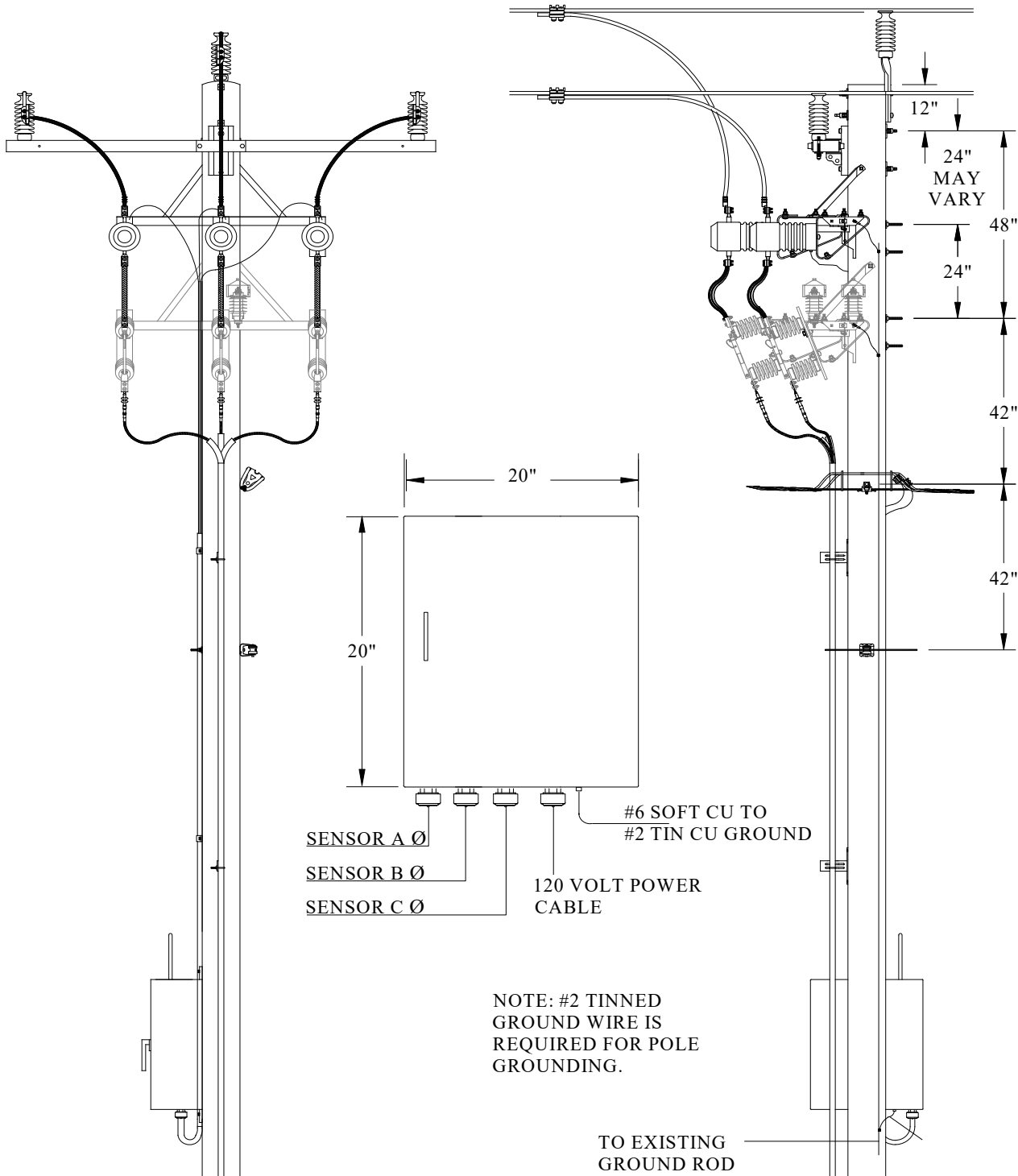
POLE APPARATUS RISERS - PRIMARY AND SECONDARY RISER DISTRIBUTION POWER CABLE

1360-40

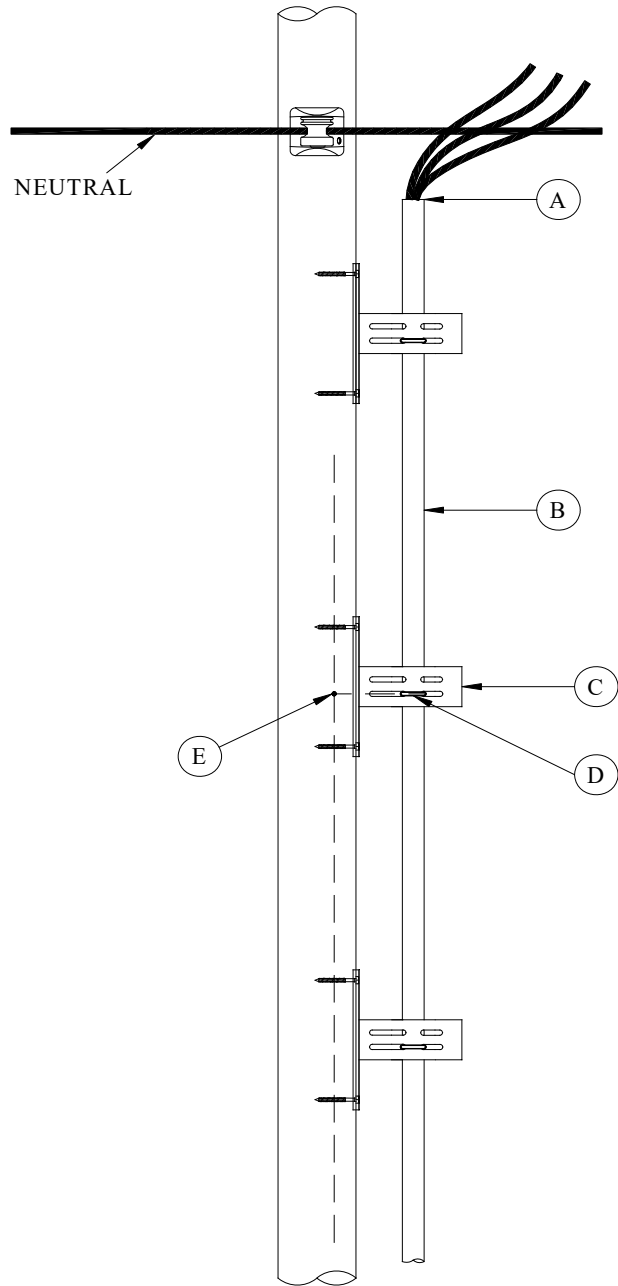
Sheet 1 of 5




POLE APPARATUS
RISERS - PRIMARY AND SECONDARY
SYSTEM MONITORING FOR AUTOMATION

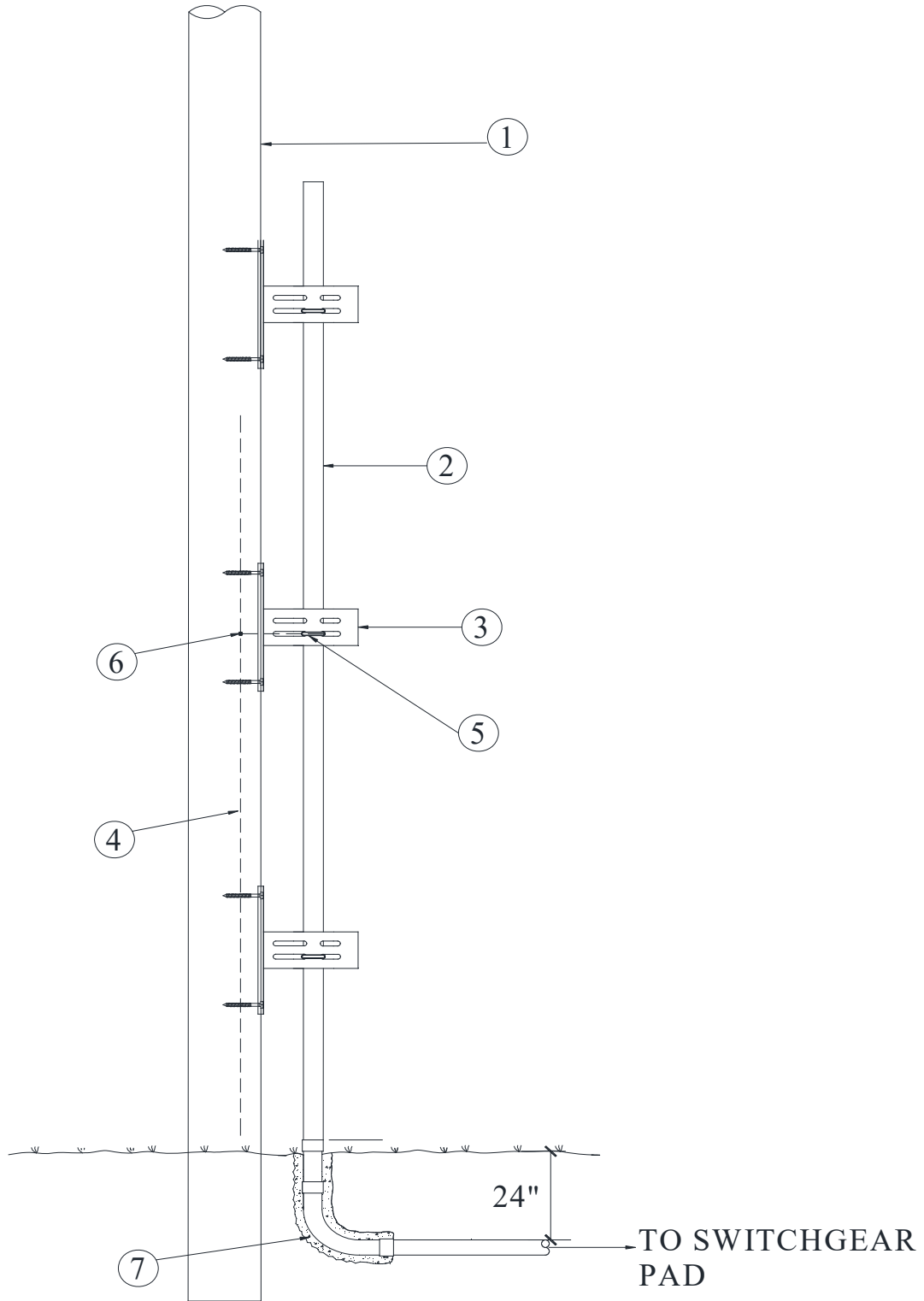


POLE APPARATUS
RISERS - PRIMARY AND SECONDARY
RISER SECONDARY 2/3/4/5 INCH




- 1360-60-02
- 1360-60-03
- 1360-60-04
- 1360-60-05

1360-70	POLE APPARATUS	
Sheet 1 of 1	RISERS - PRIMARY AND SECONDARY	Rev: 08/01/20
	COMMUNICATION RISER	



REFER TO COMMUNICATION RISER NOTES ON SECTION 1360-71 FOR DETAILS ON COMMUNICATION RISER POLE CONSTRUCTION.

	POLE APPARATUS RISERS - PRIMARY AND SECONDARY	1360-71
	COMMUNICATION RISER NOTES	Sheet 1 of 12
Rev: 08/01/20		

COMMUNICATIONS RISER NOTES:

1. A POLE MATERIAL SHALL BE CAPABLE OF WITHSTANDING A HORIZONTAL LOAD OF 740 LBS, AND BE ACCESSIBLE BY A BUCKET TRUCK. THE POLE HEIGHT WILL BE SPECIFIED TO THE CUSTOMER BY AE BASED ON THE LOCATION OF THE INSTALLATION.
2. RISER CONDUIT SHALL BE IN 10 FOOT SECTIONS. THE FIRST 10 FOOT SECTION OF THE RISER CONDUIT SHALL BE 4" GALVANIZED RIGID METAL CONDUIT. EACH 10 FOOT SECTION THERAFTER SHALL BE A 4" PVC SCH 80 CONDUIT, IN 10 FOOT SECTIONS WITH ONE BELL END. THE HEIGHT OF THE 4" PVC RISER WILL BE SPECIFIED TO THE CUSTOMER BY AE BASED ON THE LOCATION OF THE INSTALLATION.
3. A STANDOFF BRACKET ASSEMBLY FOR 4" CONDUIT, SHALL BE INSTALLED FOR EACH 10 FOOT SECTION OF RISER CONDUIT. THE STANDOFF BRACKET ASSEMBLY SHALL INCLUDE THE FOLLOWING PARTS:
 - GALVANIZED STANDOFF BRACKET FOR 2 TO 5 INCH CONDUIT, QUANTITY OF 1, APPROVED MFG AND MFG PART NUMBERS: S&H MANUFACTURING PART # APP-2931,MACLEAN POWER SYSTEMS PART # SK-260, AUSTIN METER PART # SO-2, AMERICAN METAL PART # 414-SB
 - GALVANIZED U-BOLT, 3/8 INCH FOR 4 INCH PIPE WITH 2-1/2 INCH THREAD GALVANIZED NUT, QUANTITY OF 1
 - WASHER ROUND HOT DIP GALVANIZED 3/8 INCH, QUANTITY OF 2 APPROVED MFG AND MFG PART NUMBERS: MACLEAN POWER SYSTEMS PART #J1084, AB CHANCE PART #6801, COOPER POWER PART # DF1W1
 - HOT DIPPED GALVANIZED LAG BOLT FETTER DRIVE G5CT 1/2 INCH X 4 INCH, QUANTITY OF 2, APPROVED MFG AND MFG PART NUMBERS: MACLEAN POWER SYSTEMS 8754P, AB CHANCE PART # 508745, POWER LINE HARDWARE PART # P8754P
 - HOT DIPPED GALVANIZED ROUND WASHER 1/2 INCH, QUANTITY OF 2, APPROVED MFG AND MFG PART NUMBERS: AB CHANCE PART # 6803, COOPER POWER PART # DF1W2, MACLEAN POWER SYSTEM PART # J1086.
4. A POLE GROUND SHALL BE INSTALLED AS NEEDED TO ACHIEVE A GROUND THAT DOES NOT EXCEED 25 OHMS. THE GROUND SHALL BE INSTALLED PER APPLICABLE GROUNDING DETAIL OF SECTION 1119 OF AUSTIN ENERGY'S DISTRIBUTION CONSTRUCTION STANDARDS MANUAL.
5. A # 6 BARE COPPER WIRE SHALL BE USED TO GROUND THE STANDOFF BRACKET.
6. A SPLIT BOLT CONNECTOR SHALL BE USED TO BOND THE #6 BARE COPPER WIRE TO THE POLE GROUND.
7. A 90 DEGREE BEND, 4" PVC SCH40 CONDUIT WITH A 36" MINIMUM RADIUS SHALL BE INSTALLED AT THE BASE OF THE RISER CONDUIT. THE 90 DEGREE BEND SHALL HAVE A MINIMUM OF 2" CONCRETE ENCASEMENT FROM GROUND LEVEL TO THE COUPLING. CONCRETE SHALL BE 5 SACK, CLASS A, 3/4 INCH TO 1 INCH AGGREGATE.