

	POLE APPARATUS VOLTAGE REGULATORS	1352
		Sheet 1 of 1
Rev: 08/01/20		

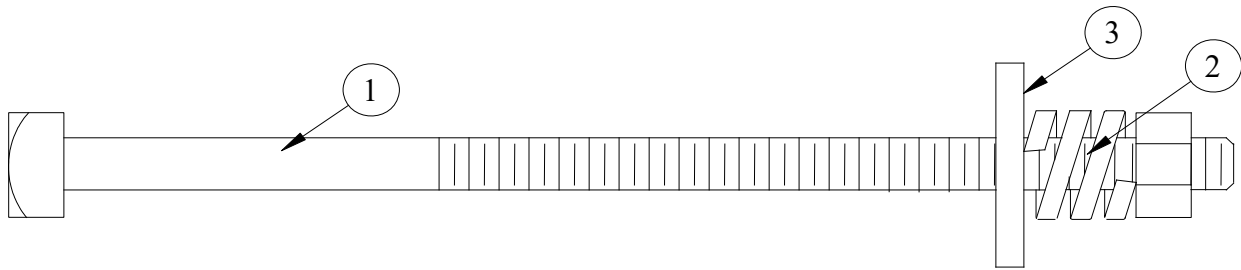
1352

VOLTAGE REGULATORS


CONTAINS

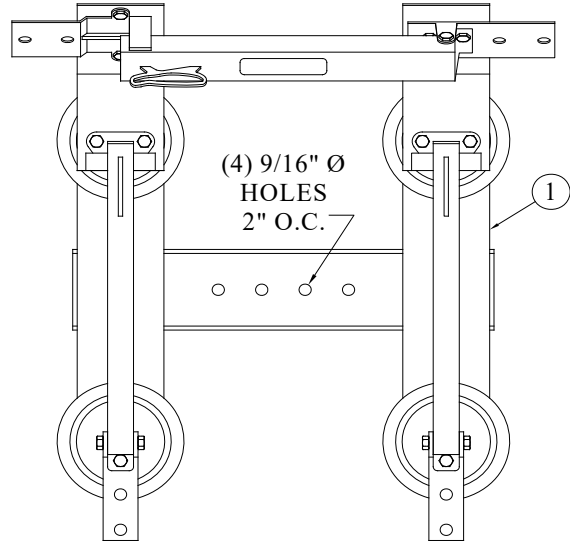
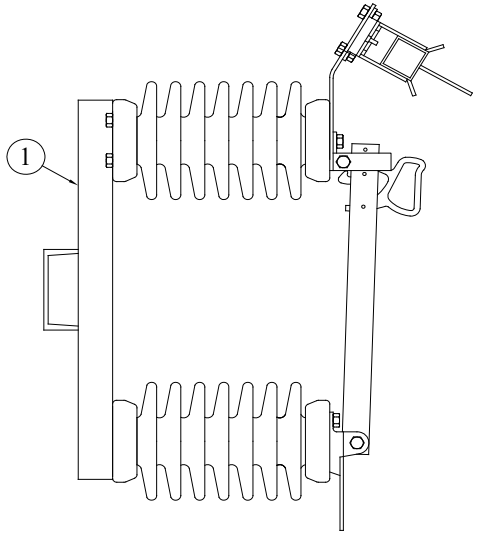
- 1352-03 BOLT MOUNT**
- 1352-05 REGULATOR BYPASS SWITCH/BRACKET**
- 1352-20 VOLTAGE REGULATOR**
- 1352-30 VOLTAGE REG POLE MOUNT 1/0P-1/0N**
- 1352-31 VOLTAGE REG POLE MOUNT 795P-4/0N**
- 1352-41 VOLTAGE REG RACK MOUNT 795P-4/0N**

1352-03	POLE APPARATUS	
Sheet 1 of 2		
	BOLT MOUNT	Rev: 08/01/20

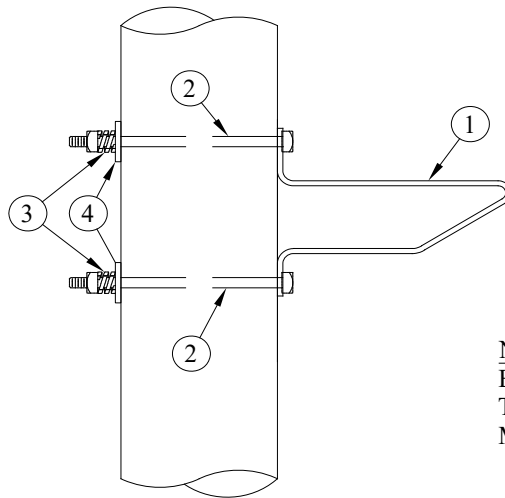


- 1352-03-01 5/8"X16"
- 1352-03-05 5/8"X14"
- 1352-03-10 3/4"X16"

1352-05	POLE APPARATUS	
Sheet 1 of 2	REGULATORS	Rev: 08/01/20
	VOLTAGE REGULATOR BYPASS SWITCH/BRACKET	



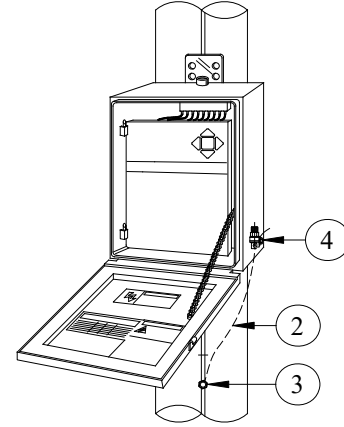
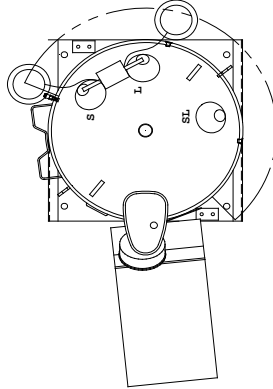
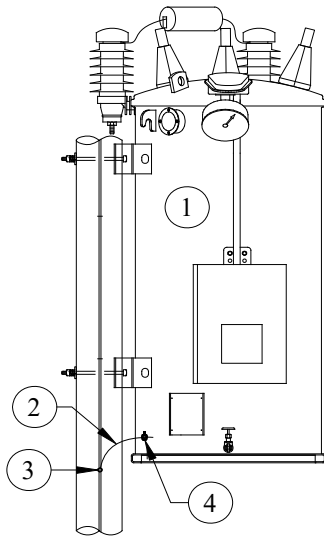
1352-05-10



NOTE:
BRACKET WILL MOUNT
TO TIMBERS ON RACK
MOUNTED REGULATORS.

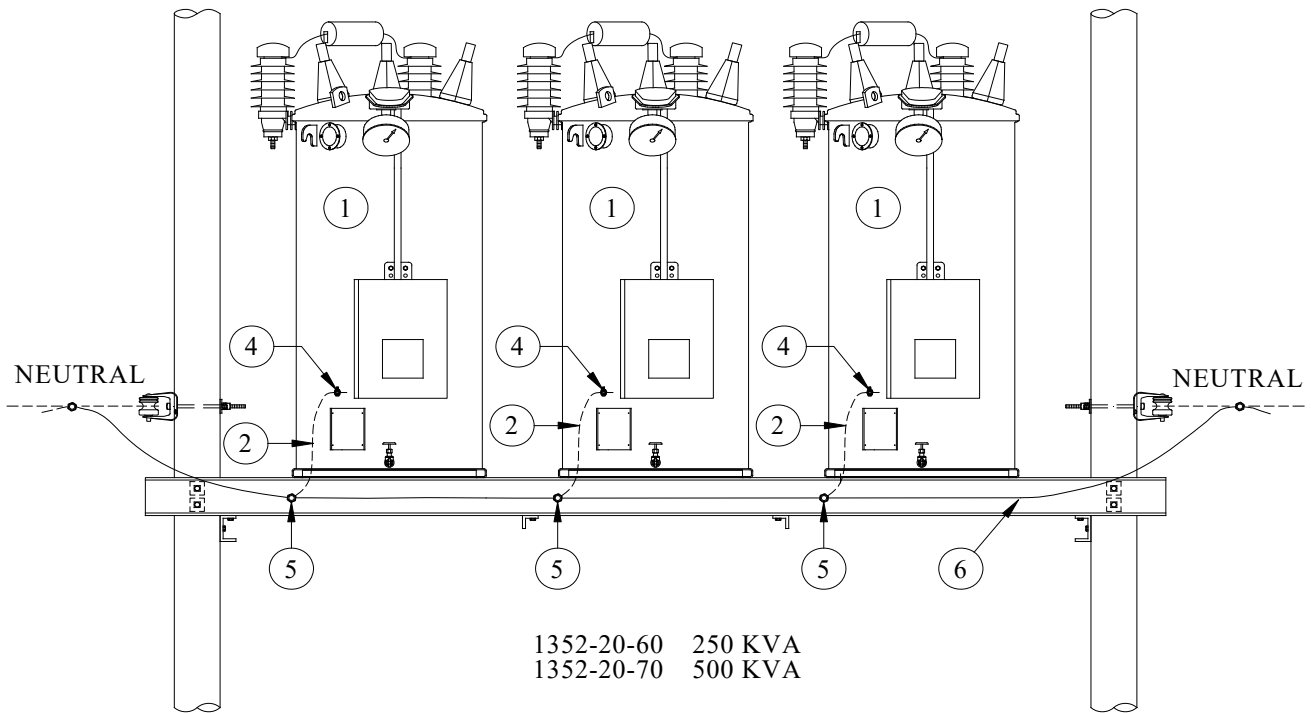
1352-05-20
POLE-MOUNTING BRACKET
(DISTRIBUTION STYLE)

POLE APPARATUS
REGULATORS
VOLTAGE REGULATOR



CONTROL BOX

- 1352-20-10 38.1 KVA
- 1352-20-20 57.2 KVA
- 1352-20-30 76.2 KVA
- 1352-20-40 114.3 KVA
- 1352-20-50 167 KVA



- 1352-20-60 250 KVA
- 1352-20-70 500 KVA



Rev: 08/01/20

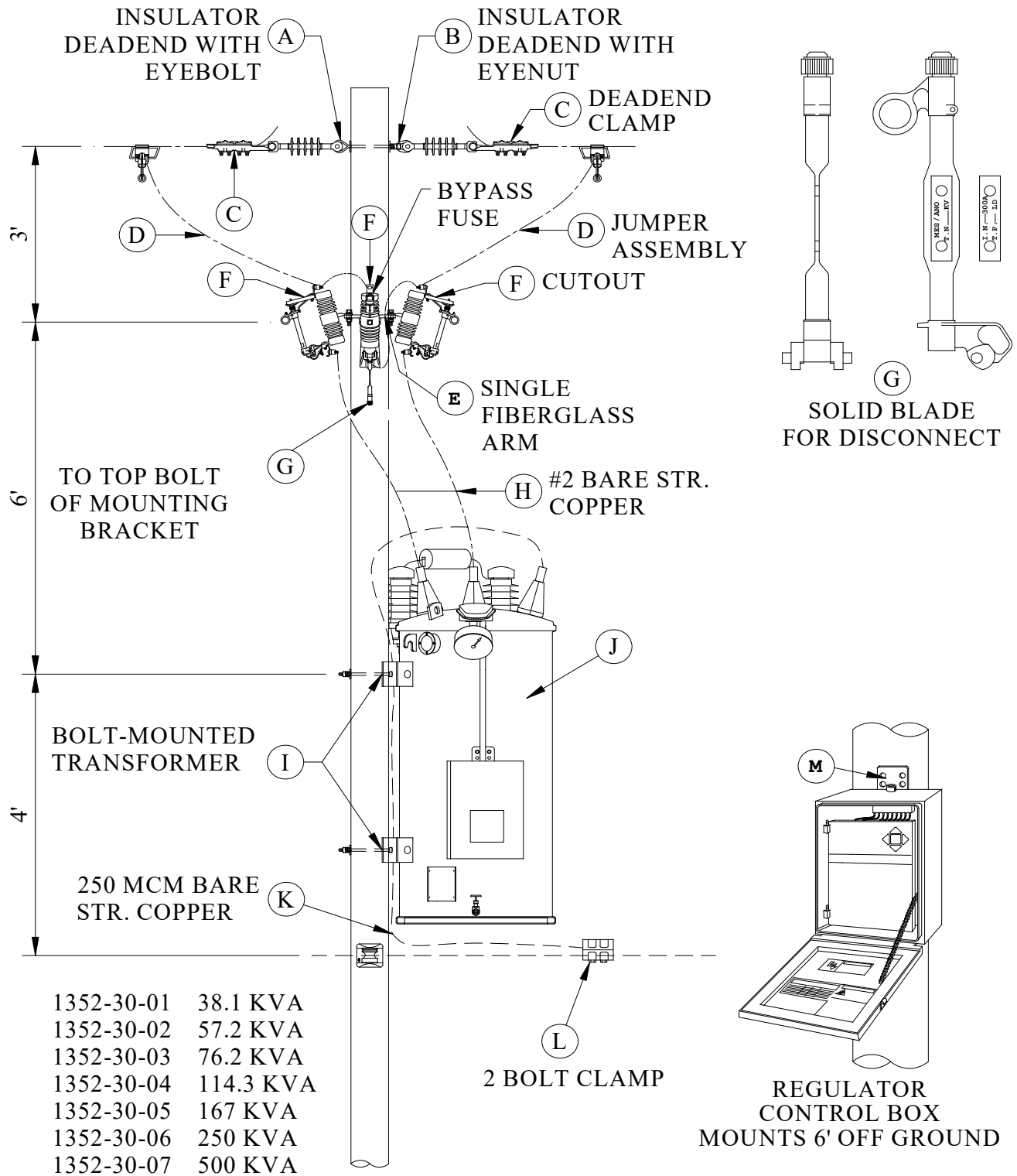
POLE APPARATUS

REGULATORS

VOLTAGE REGULATOR POLE MOUNT 1/0P-1/0N

1352-30

Sheet 1 of 5



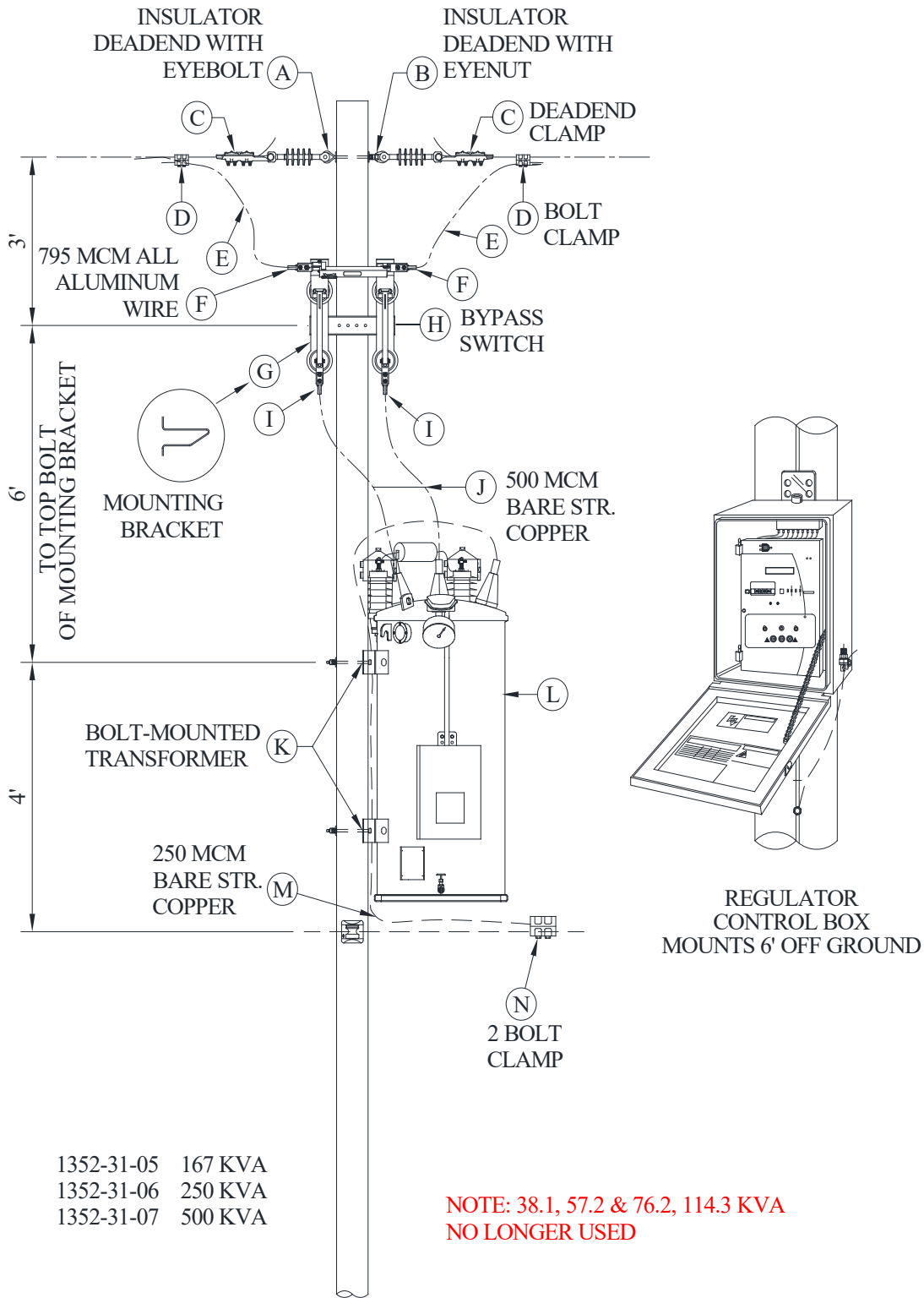
POLE APPARATUS

REGULATORS

VOLTAGE REGULATOR POLE MOUNT 795P-4/0N



Rev: 08/01/20





Rev: 08/01/20

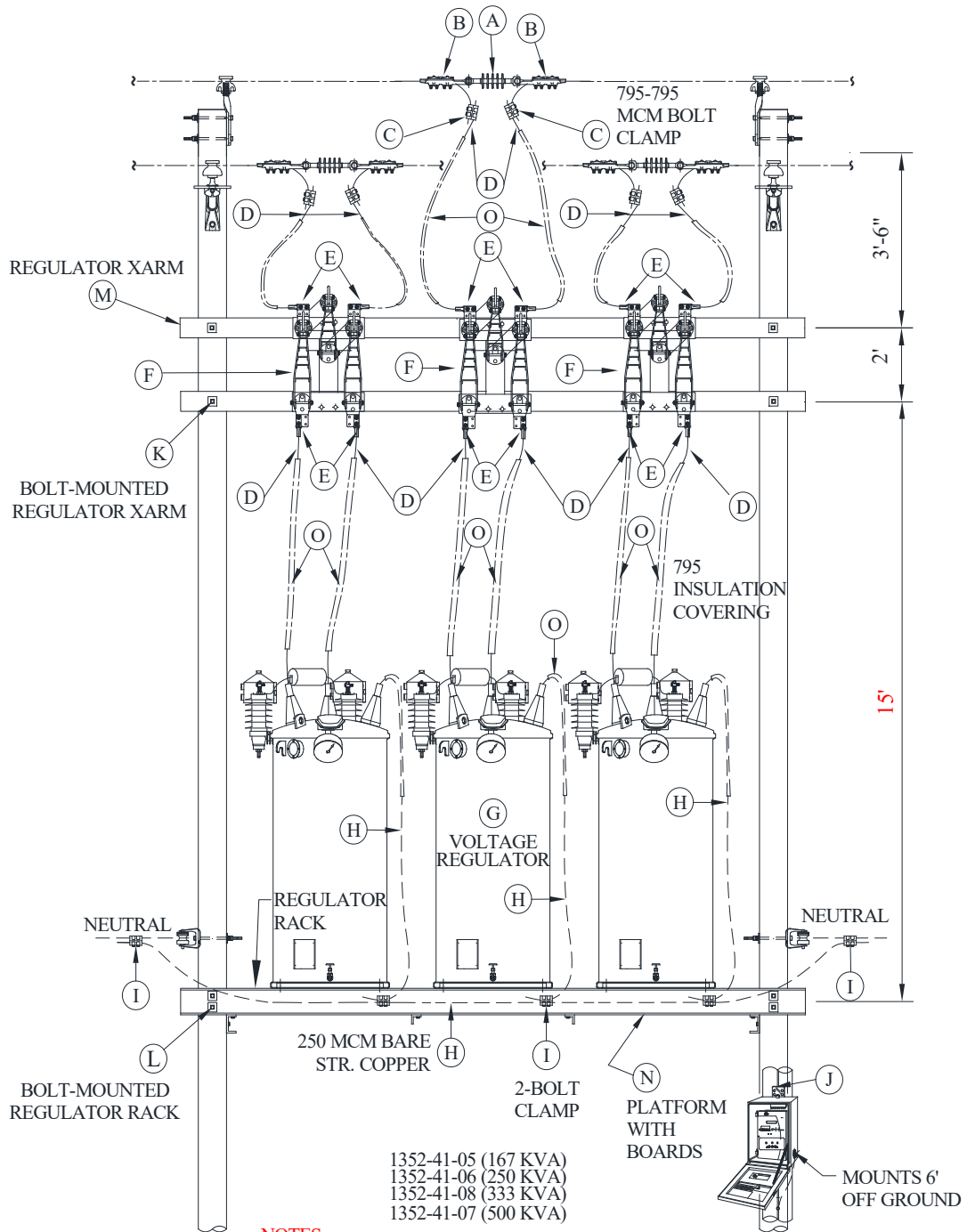
POLE APPARATUS

REGULATORS

VOLTAGE REGULATOR RACK MOUNT 795P-4/0N

1352-41

Sheet 1 of 3



NOTES:
 WHEN USING RACK, YOU MUST USE 55' FT. CLASS 2 POLE FOR REGULATOR RACKS SIZE 167-333KVA, FOR REGULATOR RACKS SIZE 500KVA, CLASS 1 POLES MUST BE USED. POLE MUST BE 16 FT. APART FROM CENTER TO CENTER. POLE MUST BE SET 10 FT DEEP. REGULATOR RACK, TIMBERS & PLATFORM BOARDS ARE IN STOCK.

	POLE APPARATUS REGULATORS VOLTAGE REGULATOR RACK MOUNT 795P-4/0N	1352-41
	Rev: 08/01/20	Sheet 3 of 3

MU-ID	MU-REF	MU-DESCRIPTION
--------------	---------------	-----------------------

VOLTREGRACK500-795P4/0N	13524107	VOLT REG RACK MNT 500 KVA ASSY 795P-4/0N
-------------------------	----------	--

ID	CU-REF	CU-DESC	QTY	MU-REF
A	11201701	INSULATOR DE SGL	3	13524107
B	12400107	DEAD END CLAMP 795	6	13524107
C	12450777	CLAMP 2 BOLT 795 - 795	6	13524107
D	12080125	WIRE 795 MCM	90	13524107
E	12451120	LUG SGL AL 795 W/BOLTS	12	13524107
F	13520510	SWITCH VOLTAGE REG BYPASS 333KVA - 500KVA	3	13524107
G	13522070	VOLT REG 500 KVA	3	13524107
H	12080308	WIRE 250 CU BARE TINNED	60	13524107
I	12450501	CLAMP 2 BOLT CAD 350	5	13524107
J	13520301	MOUNTING BOLT REG CONTROL BOX	1	13524107
K	13520305	MOUNTING BOLT REG XARM	2	13524107
L	13520310	MOUNTING BOLT REG RACK	1	13524107
M	11201505	ARM WOOD LD SGL 22FT	2	13524107
N	13521015	PLATFORM W/ WOOD FOR (3) 500 KVA V. REG.	1	13524107
O	13680550	INSULATION HOSE SPLIT 1.25IN 795 ARBUTUS	90	13524107

ASSOCIATED MODULES

	CU-REF	CU-DESCRIPTION	QTY	MU-REF
1/0 N	11192011	GRD WOOD POLE W/GRD ROD SS #2-1/0N	1	ALL GROUPS
	11192016	GRD WOOD POLE W/GRD ROD RS #2-1/0N	1	ALL GROUPS
4/0 N	11192012	GRD WOOD POLE W/GRD ROD SS #2-4/0N	1	ALL GROUPS
	11192017	GRD WOOD POLE W/GRD ROD RS #2-4/0N	1	ALL GROUPS